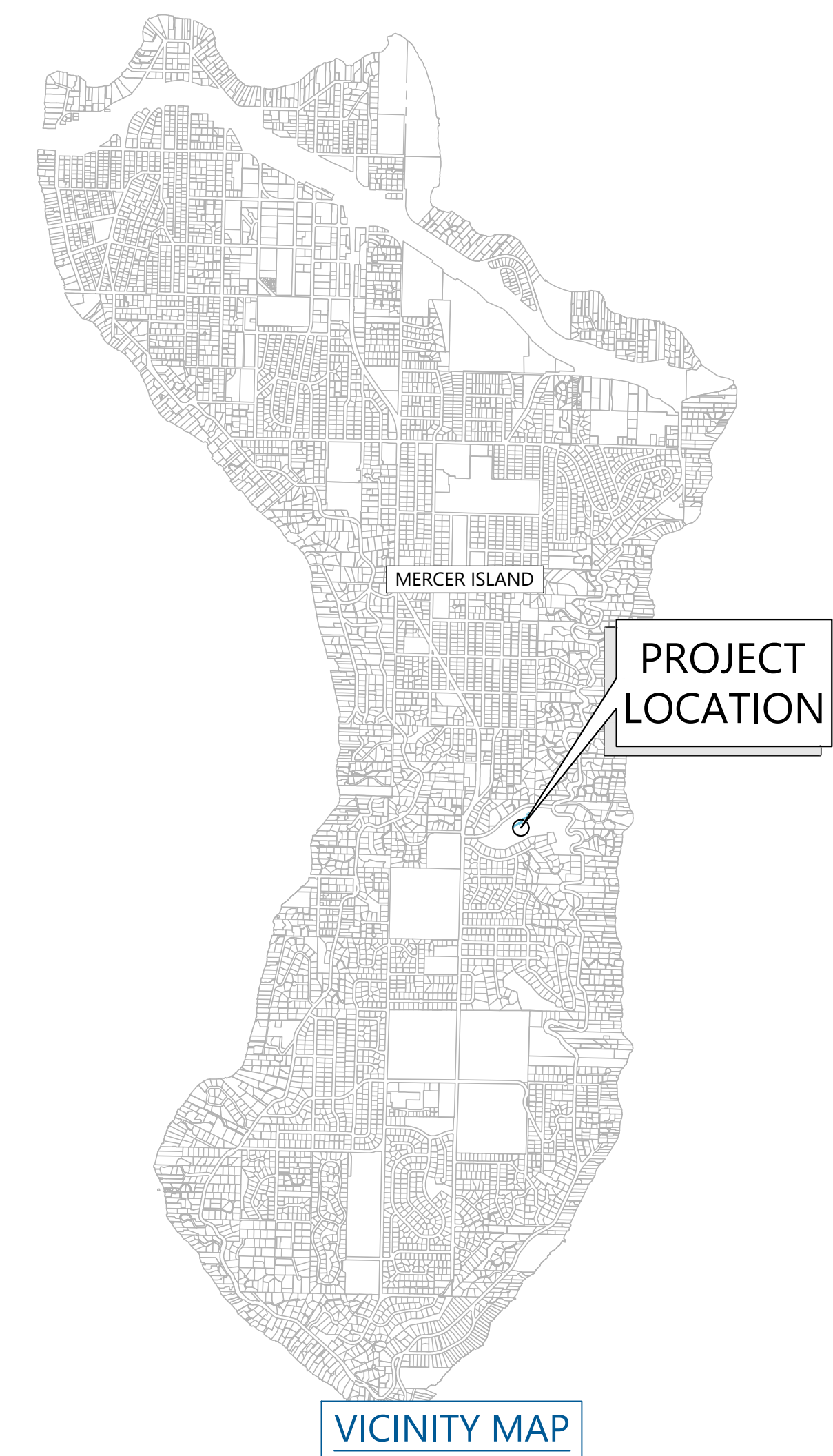
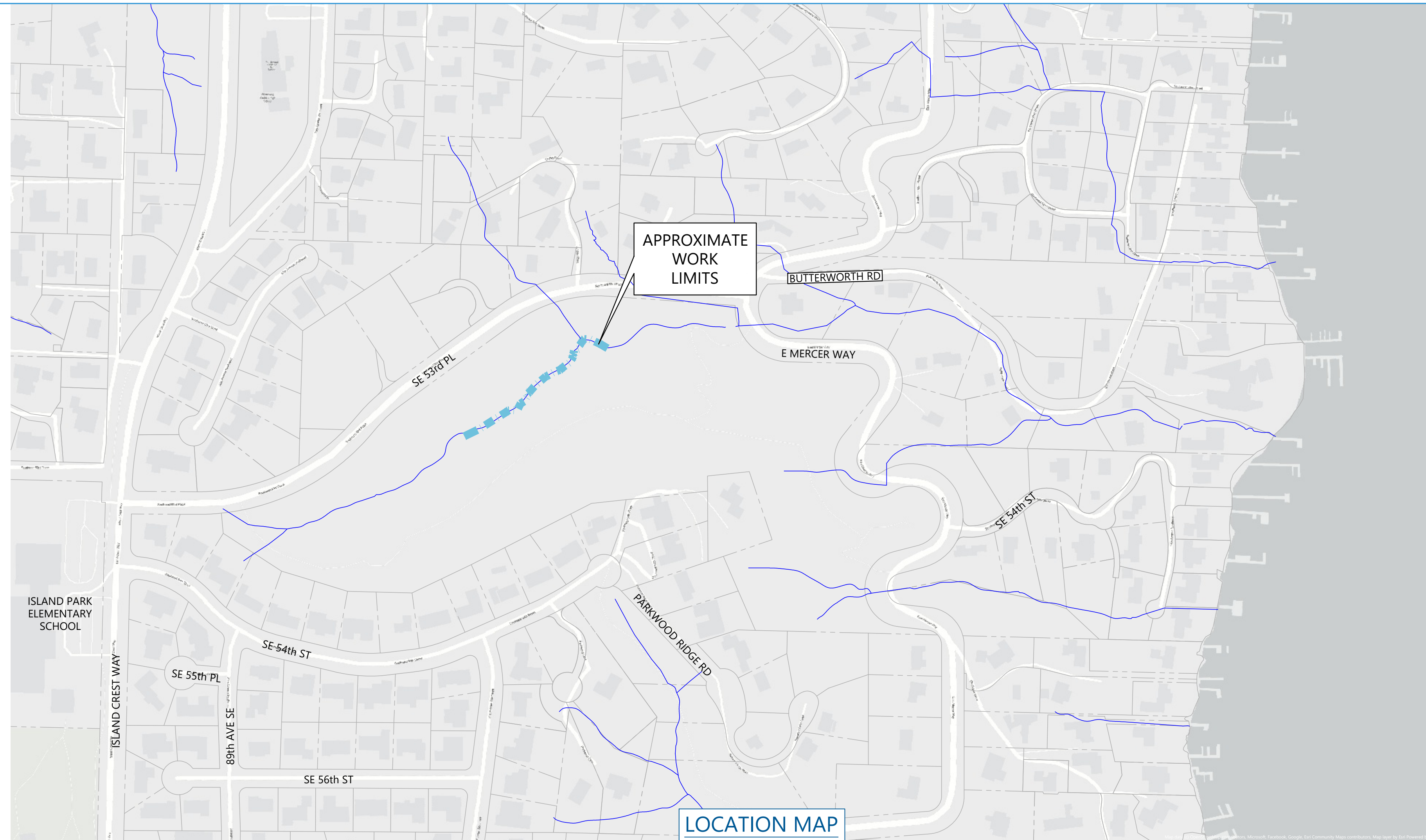


SUBBASIN 46.3 WATER COURSE STABILIZATION PROJECT

90% SUBMITTAL, OCTOBER 2025

SHEET INDEX	
G001	TITLE
G002	GENERAL NOTES
G003	ABBREVIATIONS & LEGEND
G100	EXISTING CONDITIONS, ACCESS, STAGING, & TESC
C101	WATERCOURSE STABILIZATION PLAN
C201	PROFILES
C301	CROSS SECTIONS
D601	DETAILS - TYPE 1 ELJ
D602	DETAILS - TYPE 2 ELJ
D603	MISC WATERCOURSE STABILIZATION DETAILS
D604	TESC DETAILS
L100	PLANTING PLAN
L101	PLANTING SCHEDULE AND NOTES
L102	PLANTING DETAILS



XXXXXXXXXX X. XXXXXXXXXXXXXXXX (date)
 XXXXXXXXXXXX Registered
 Professional Engineer #1234567890



CITY OF MERCER ISLAND
 MERCER ISLAND PUBLIC WORKS
 9601 SE 36TH STREET
 MERCER ISLAND, WA 98040
 206-275-7608
 WWW.MERCERISLAND.GOV/PUBLICWORKS



12787 Gateway Drive South Tukwila, Washington 98168
 Phone: (206) 241-6000 www.nhcweb.com

**PRELIMINARY
 NOT FOR
 CONSTRUCTION**

REVISIONS			DRAWING INFORMATION	
##	DATE	DESCRIPTION	DATE	
			09:31:33 20251028	
			STATUS	90% SUBMITTAL
			DESIGNER/DRAFTER	DGH / TS
			CHECKED	VDC
			COORDINATE	WAB3-NF
			FILE NAME	SUBBASIN 46a3 - COVER_R0
			PLOTTED SCALE	0 1/2 1

SUBBASIN 46.3 WATERCOURSE STABILIZATION PROJECT

TITLE

JOB NUMBER
2008561

SHEET NUMBER

G001

SHEET 1 OF 13

LAST SAVED BY: dheckendorf LAST DATE SAVED: 10/28/2025 09:31
 FILE LOCATION: Q:\2008561 - SUBBASIN_46_3A_WATERCOURSE_STABILIZATION_DESIGN\96_CAD\02_DESIGN\PRODUCTION\0100_CURRENT\100-DESIGN\SUBBASIN_46a3 - COVER_R0.DWG

GENERAL NOTES:

- THESE DRAWINGS HAVE BEEN PREPARED FOR THE EXCLUSIVE USE OF CITY OF MERCER ISLAND, HEREAFTER REFERRED TO AS "CONTRACTING AGENCY" AND THEIR AUTHORIZED AGENTS.
- NORTHWEST HYDRAULIC CONSULTANTS, INC. (NHC) IS RESPONSIBLE FOR PREPARATION OF THESE ORIGINAL DRAWINGS AND ASSOCIATED CONTRACT SPECIFICATIONS. NHC WILL NOT BE RESPONSIBLE FOR, OR LIABLE FOR, UNAUTHORIZED CHANGE, OR USE, OF THESE DRAWINGS WHICH INCLUDES ALTERATION, DELETION, OR EDITING OF THIS DOCUMENT WITHOUT EXPLICIT WRITTEN PERMISSION FROM THE ENGINEER OF RECORD. ANY OTHER UNAUTHORIZED USE OF THIS DOCUMENT IS PROHIBITED.
- CONTRACTOR TO WORK WITHIN HOURS ALLOWED BY CITY ORDINANCES.
- CONTRACTOR SHALL VERIFY EXISTING SITE FEATURES AND DISCUSS POSSIBLE CONSTRUCTION CONFLICTS WITH CONTRACTING AGENCY REPRESENTATIVE PRIOR TO START OF WORK. ANY FAILURE BY THE CONTRACTOR AND SUBCONTRACTOR(S) TO ACQUAINT THEMSELVES WITH ALL THE AVAILABLE INFORMATION WILL NOT RELIEVE THE CONTRACTOR AND SUBCONTRACTOR(S) FROM RESPONSIBILITY FOR PROPERLY ESTIMATING THE DIFFICULTY AND COST OF SUCCESSFULLY PERFORMING THE WORK.
- UTILITY INFORMATION MAY BE INCOMPLETE. IT IS THE RESPONSIBILITY OF THE CONTRACTOR TO VERIFY ALL UTILITIES PRIOR TO PERFORMING ANY WORK.
- THE CONTRACTOR AGREES TO ASSUME SOLE AND COMPLETE RESPONSIBILITY FOR JOB SITE CONDITIONS DURING THE COURSE OF CONSTRUCTION OF THIS PROJECT, INCLUDING SAFETY OF ALL PERSONS AND PROPERTY; AND FURTHER AGREES THAT THIS REQUIREMENT SHALL APPLY CONTINUOUSLY AND NOT BE LIMITED TO NORMAL WORKING HOURS IN ACCORDANCE WITH THE PROVISIONS OUTLINED BY THE PROJECT CONTRACT AND SPECIFICATIONS.
- THE LOCATION OF ALL FEATURES SHOWN IS APPROXIMATE. FIELD VERIFY WITH CITY'S REPRESENTATIVE ALL STRUCTURE LOCATIONS, DIMENSIONS, AND ELEVATIONS PRIOR TO EXCAVATION, ASSEMBLY, AND INSTALLATION OF STRUCTURES.
- CONTRACTOR SHALL PROVIDE 48 HOURS ADVANCE NOTICE TO THE CONTRACTING AGENCY PRIOR TO ANY REQUIRED INSPECTION.
- MINOR MODIFICATIONS ARE EXPECTED TO SUIT JOB SITE DIMENSIONS OR CONDITIONS. SUCH MODIFICATIONS SHALL BE INCLUDED AS PART OF THE WORK. THE CONTRACTING AGENCY, ENGINEER AND APPROPRIATE REGULATORY AGENCIES SHALL BE NOTIFIED OF ANY CONTRACTING AGENCY-AUTHORIZED CHANGE RESULTING IN MORE THAN A 10% DESIGN CHANGE OF PROPOSED FOOTPRINT OR THAT SIGNIFICANTLY AFFECTS THE INTENDED BENEFIT OR FUNCTION OF A PROJECT ELEMENT.
- ALL IMPROVEMENTS SHALL BE ACCOMPLISHED UNDER THE APPROVAL, INSPECTION, AND TO THE SATISFACTION OF THE CONTRACTING AGENCY. IMPROVEMENT CONSTRUCTION SHALL COMPLY WITH THESE PLANS AND THE WASHINGTON STATE DEPARTMENT OF TRANSPORTATION (WSDOT) STANDARD PLANS FOR CONSTRUCTION OF ROAD, BRIDGE, AND MUNICIPAL CONSTRUCTION, CURRENT EDITION UNLESS NOTED OTHERWISE. ALL REFERENCES TO THE "STANDARD SPECIFICATIONS" SHALL MEAN THE WASHINGTON STATE DEPARTMENT OF TRANSPORTATION (WSDOT) STANDARD SPECIFICATIONS FOR CONSTRUCTION OF LOCAL STREETS AND ROADS, CURRENT EDITION. CONSTRUCTION NOT SPECIFIED ON THESE PLANS SHALL CONFORM TO THE REQUIREMENTS OF THE STANDARD SPECIFICATIONS. THE CONTRACTOR IS OBLIGATED TO BE FAMILIAR WITH APPLICABLE SECTIONS OF THE STANDARD SPECIFICATIONS NOT DISCUSSED IN THE GENERAL NOTES. THE CONTRACT SPECIAL PROVISIONS SHALL SUPERSEDE THOSE OF THE STANDARD SPECIFICATIONS WHERE DISCREPANCIES OCCUR.
- ALL EXISTING SITE FEATURES NOT SPECIFIED FOR REMOVAL SHALL BE PROTECTED DURING CONSTRUCTION. ANY DAMAGE TO EXISTING STRUCTURES SHALL BE REPAIRED AT THE CONTRACTORS EXPENSE.

SURVEY NOTES:

- THE CONTRACTOR WILL BE PROVIDED WITH AN AUTOCAD 2023 DRAWING FILE, WHICH WILL CONTAIN THE EXISTING WATERCOURSE ALIGNMENT TO BE USED FOR CONSTRUCTION STAKING AND LAYOUT.
- CONTRACTOR SHALL BE RESPONSIBLE FOR PROTECTION OF ALL EXISTING SURVEY MONUMENTS AND OTHER SURVEY MARKERS DURING CONSTRUCTION.
- THE CONTRACTOR SHALL MAINTAIN A SET OF PLANS ON THE JOB SHOWING "AS-BUILT" CHANGES MADE TO DATE. UPON COMPLETION OF THE PROJECT, THE CONTRACTOR SHALL SUPPLY TO CONTRACTING AGENCY A SET OF PLANS, MARKED UP TO THE SATISFACTION OF THE CONTRACTING AGENCY, REFLECTING "AS-BUILT" CONDITIONS. SITE TOPOGRAPHY AND BATHYMETRY MAY DIFFER AT TIME OF CONSTRUCTION.
- TOPOGRAPHIC CONTOURS BASED ON 2021 KING COUNTY LIDAR. BATHYMETRIC SURVEY WAS COLLECTED BY NHC AND IS REPRESENTATIVE OF 2024 CHANNEL CONDITIONS.
- HORIZONTAL DATUM: NAD83(11) (WASHINGTON STATE PLANE, NORTH ZONE), U.S. SURVEY FEET. VERTICAL DATUM: NAVD88.

PERMIT NOTES:


- ALL WORK SHALL BE DONE IN COMPLIANCE WITH THE PERMIT CONDITIONS ISSUED BY APPLICABLE REGULATORY AGENCIES. IT IS THE RESPONSIBILITY OF THE CONTRACTOR TO HAVE HARD COPIES OF ALL PERMITS AT THE JOB SITE, AND TO UNDERSTAND AND COMPLY WITH PERMIT CONDITIONS AND PROVISIONS.
- ALL WORK SHALL COMPLY WITH THE WDFW HPA CONDITIONS AND OTHER PERMIT CONDITIONS. THE CONTRACTOR SHALL MAINTAIN WATER QUALITY STANDARDS AT ALL TIMES.
- ALL ACTIVITIES THAT INVOLVE WORK ADJACENT TO, OR WITHIN THE WETTED CHANNEL SHALL, AT ALL TIMES, REMAIN CONSISTENT WITH ALL APPLICABLE WATER QUALITY STANDARDS; EFFLUENT LIMITATION; AND STANDARDS OF PERFORMANCE, PROHIBITIONS, PRETREATMENT STANDARDS, AND MANAGEMENT PRACTICES ESTABLISHED PURSUANT TO THE CLEAN WATER ACT OR PURSUANT TO APPLICABLE STATE AND LOCAL LAW.
- IF, DURING CONSTRUCTION, ARCHAEOLOGICAL REMAINS ARE ENCOUNTERED, CONSTRUCTION IN THE VICINITY SHALL BE HALTED, AND THE STATE OFFICE OF HISTORIC PRESERVATION AND CONTRACTING AGENCY NOTIFIED IMMEDIATELY.
- IF AT ANY TIME, AS A RESULT OF PROJECT ACTIVITIES, FISH ARE OBSERVED IN DISTRESS, A FISH KILL OCCURS, OR WATER QUALITY PROBLEMS DEVELOP (INCLUDING EQUIPMENT LEAKS OR SPILLS), OPERATIONS SHALL CEASE AND THE CONTRACTING AGENCY REPRESENTATIVE NOTIFIED IMMEDIATELY. WASHINGTON DEPARTMENT OF FISH AND WILDLIFE AND WASHINGTON DEPARTMENT OF ECOLOGY WILL BE CONTACTED IMMEDIATELY BY THE CONTRACTING AGENCY REPRESENTATIVE. WORK SHALL NOT RESUME UNTIL FURTHER APPROVAL BY THE CONTRACTING AGENCY.

EROSION, SEDIMENT CONTROL, AND WATER MANAGEMENT NOTES:

- THE CONTRACTOR SHALL BE RESPONSIBLE FOR IMPLEMENTING ALL TEMPORARY EROSION CONTROL MEASURES. THE EROSION CONTROL MEASURES SHALL BE IN ACCORDANCE WITH ALL FEDERAL, STATE, LOCAL REQUIREMENTS, AND APPROVED EROSION CONTROL PLAN. THE CONTRACTOR SHALL BE RESPONSIBLE FOR THE MAINTENANCE AND PERFORMANCE OF THE TEMPORARY EROSION CONTROL MEASURES THROUGHOUT THE DURATION OF THE PROJECT.
- A SEDIMENT AND EROSION CONTROL PLAN WILL BE DEVELOPED BY THE CONTRACTOR AND SUBMITTED FOR APPROVAL BY CONTRACTING AGENCY BEFORE ANY CONSTRUCTION MAY BEGIN. THE SEDIMENT AND EROSION CONTROL PLAN WILL IDENTIFY BEST MANAGEMENT PRACTICES TO ENSURE THAT THE TRANSPORT OF SEDIMENT TO SURFACE WATERS, DRAINAGE SYSTEMS, AND ADJACENT PROPERTIES IS MINIMIZED.
- ACTIVITIES SHALL BE DESIGNED AND CONSTRUCTED TO AVOID AND MINIMIZE ADVERSE IMPACTS TO WATERS OF THE UNITED STATES TO THE MAXIMUM EXTENT PRACTICAL THROUGH THE USE OF PRACTICAL ALTERNATIVES. ALTERNATIVES THAT SHALL BE CONSIDERED INCLUDE THOSE THAT MINIMIZE THE NUMBER AND EXTENT OF IN-WATER WORK AND EQUIPMENT CROSSINGS OF WETTED CHANNELS.
- THE TEMPORARY EROSION AND SEDIMENT CONTROL (TESC) FACILITIES SHOWN ON THESE PLANS MUST BE CONSTRUCTED PRIOR TO OR IN CONJUNCTION WITH ALL CLEARING, GRUBBING, AND GRADING SO AS TO ENSURE THAT THE TRANSPORT OF SEDIMENT TO SURFACE WATERS, DRAINAGE SYSTEMS, AND ADJACENT PROPERTIES IS MINIMIZED.
- NO TREES OR WETLAND VEGETATION SHALL BE REMOVED UNLESS THEY ARE SHOWN AND NOTIED TO BE REMOVED ON THE PLANS OR AS DIRECTLY SPECIFIED ON-SITE BY THE CONTRACTING AGENCY. NO GRADING SHALL TAKE PLACE WITHIN THE DRIP LINE OF TREES NOT TO BE REMOVED UNLESS OTHERWISE APPROVED BY THE CONTRACTING AGENCY.
- STABILIZED CONSTRUCTION ENTRANCES AND ROADS SHALL BE INSTALLED AT THE BEGINNING OF CONSTRUCTION AND MAINTAINED FOR THE DURATION OF THE PROJECT. ADDITIONAL MEASURES, SUCH AS WASH PADS, MAY BE REQUIRED TO ENSURE THAT ALL PAVED AREAS ARE KEPT CLEAN FOR THE DURATION OF THE PROJECT. WASH PADS ARE NOT PERMITTED TO DISCHARGE TO WETLANDS OR STREAMS.
- EQUIPMENT USED FOR THE PROJECT SHALL BE FREE OF EXTERNAL PETROLEUM-BASED PRODUCTS WHILE WORKING NEAR ANY SURFACE WATER OR WETLANDS. ACCUMULATION OF SOILS OR DEBRIS SHALL BE REMOVED FROM THE DRIVE MECHANISMS (WHEELS, TRACKS, TIRES, ETC.) AND UNDERCARRIAGE OR EQUIPMENT PRIOR TO ITS WORKING BELOW THE ORDINARY HIGH WATER (OHW) ELEVATION.
- EQUIPMENT SHALL BE CHECKED DAILY FOR LEAKS, AND ANY NECESSARY REPAIRS SHALL BE COMPLETED PRIOR TO COMMENCING WORK ACTIVITIES. SPILL KITS SHALL BE ACCESSIBLE AT ALL TIMES TO EQUIPMENT OPERATORS.
- CONTRACTOR IS RESPONSIBLE TO ENSURE THAT NO PETROLEUM PRODUCTS, HYDRAULIC FLUID, SEDIMENTS, SEDIMENT-LADEN WATER, CHEMICALS, OR ANY OTHER TOXIC OR DELETERIOUS MATERIALS ARE ALLOWED TO ENTER OR LEACH INTO THE RIVER, GROUNDWATER, OR WETLANDS.
- COVER, CONTAINMENT, AND PROTECTION FROM VANDALISM SHALL BE PROVIDED FOR ALL CHEMICALS, LIQUID PRODUCTS, PETROLEUM PRODUCTS, AND NON-INERT WASTE PRESENT ON THE SITE (SEE CHAPTER 173-304 WAC FOR DEFINITION OF INERT WASTE). ONSITE FUELING TANKS SHALL INCLUDE SECONDARY CONTAINMENT.
- ALTERATION OR DISTURBANCE OF THE BANK AND BANK VEGETATION SHALL BE MINIMIZED TO THAT NECESSARY FOR THE PROJECT.
- AT NO TIME SHALL SEDIMENT -LADEN WATER BE DISCHARGED OR PUMPED DIRECTLY INTO THE SUBJECT RIVER, STREAM, OR WETLAND. WATER SHALL BE DISCHARGED IN ACCORDANCE WITH REQUIREMENTS SET FORTH IN THE PROJECT PERMITS AND / OR SPECIFICATIONS.
- PERMIT CONDITIONS CONTAIN SPECIFIC REQUIREMENTS FOR THE CONTROL OF EROSION AND TURBIDITY FROM PROJECT OPERATIONS. TURBIDITY WILL BE MONITORED ON A FREQUENT BASIS BY THE PROJECT MANAGEMENT AND INSPECTION STAFF ON-SITE. TURBIDITY AMOUNTS IN EXCESS OF THE PERMITTED CONCENTRATIONS AND/OR DURATIONS WILL CAUSE WORK TO BE STOPPED UNTIL IMPROVED PRACTICES ARE IN EFFECT AND THE PROBLEMS CONTROLLED. THE CONTRACTOR IS COMPLETELY RESPONSIBLE FOR ANY PROJECT DELAYS THAT OCCUR BY NATURE OF THIS FAILURE TO ADEQUATELY CONTAIN SEDIMENT ON-SITE.
- IF HIGH WATER LEVEL CONDITIONS THAT MAY CAUSE SILTATION OR EROSION ARE ENCOUNTERED DURING CONSTRUCTION, WORK SHALL STOP UNTIL THE FLOW SUBSIDES.
- FOLLOWING CONSTRUCTION, CONTRACTOR SHALL RESTORE ALL GRADES AND STABILIZE DISTURBED AREAS. SITE RESTORATION WILL INCLUDE ESTABLISHING LONG-TERM EROSION PROTECTION MEASURES. THESE MEASURES WILL INCLUDE PLANTINGS, EROSION CONTROL FABRIC, SEED, AND MULCH. EQUIPMENT AND EXCESS SUPPLIES WILL BE REMOVED AND THE WORK AREA WILL BE CLEANED. MAINTENANCE ACTIVITIES FOR THE NEWLY CONSTRUCTED RESTORATION PROJECTS ARE ANTICIPATED TO OCCUR PERIODICALLY.
- ALL STOCKPILED MATERIAL SHALL BE STAGED AND MAINTAINED WITH THE CONSTRUCTION LIMITS SHOWN ON THE DRAWINGS.
- EXPOSED SOILS THAT WILL NOT BE DISTURBED FOR TWO CONSECUTIVE DAYS DURING THE WET SEASON (OCTOBER 1 TO APRIL 30) OR SEVEN CONSECUTIVE DAYS IN THE DRY SEASON (MAY 1 TO SEPTEMBER 30) SHALL BE IMMEDIATELY STABILIZED WITH ESC MEASURES (E.G. SEEDING, MULCHING, PLASTIC COVERING).
- PRIOR TO THE BEGINNING OF THE WET SEASON (OCT. 1), ALL DISTURBED AREAS SHALL BE REVIEWED TO IDENTIFY WHICH AREAS CAN BE SEEDED IN PREPARATION FOR WINTER RAINS.

CONSTRUCTION NOTES:

- THE DRAWINGS REPRESENT THE INTENDED OUTCOME OF THE WORK. THEY DO NOT INDICATE THE CONSTRUCTION METHODS TO BE USED. CONTRACTOR SHALL PROVIDE ALL MEASURES NECESSARY TO PROTECT THE STRUCTURES, WORKS, AND THE PUBLIC DURING CONSTRUCTION.
- ALL WORK PERFORMED AND MATERIALS INSTALLED SHALL BE IN STRICT ACCORDANCE WITH ALL APPLICABLE CODES, REGULATIONS, AND ORDINANCES.
- CONTRACTOR SHALL INSTALL ALL MATERIALS IN ACCORDANCE WITH THE MANUFACTURERS RECOMMENDATIONS UNLESS SPECIFICALLY INDICATED OTHERWISE BY THE CONTRACTING AGENCY OR WHERE LOCAL CODES OR REGULATIONS TAKE PRECEDENCE.
- ANY DISCREPANCIES ARE TO BE BROUGHT TO THE ATTENTION OF THE CONTRACTING AGENCY PRIOR TO PROCEEDING WITH THE WORK.
- THE CONTRACTOR SHALL SUPERVISE AND DIRECT THE WORK USING THE BEST SKILLS AND ATTENTION. THE CONTRACTOR SHALL BE SOLELY RESPONSIBLE FOR ALL CONSTRUCTION MEANS, METHODS, TECHNIQUES, SEQUENCES, AND PROCEDURES AND FOR COORDINATING ALL PORTIONS OF THE WORK UNDER THIS CONTRACT.
- THE CONTRACTOR SHALL MAKE ALL NECESSARY PROVISIONS TO PROTECT EXISTING IMPROVEMENTS, ROADWAY, DRAINAGE WAYS, PRIVATE BRIDGE, CULVERTS, AND VEGETATION UNTIL SUCH ITEMS ARE TO BE DISTURBED OR REMOVED AS INDICATED ON THE CONTRACT DOCUMENTS.
- THE CONTRACTOR SHALL KEEP THE JOB SITE CLEAN AND HAZARD FREE. CONTRACTOR SHALL DISPOSE OF ALL DIRT, DEBRIS, AND RUBBISH FOR THE DURATION OF THE WORK. UPON COMPLETION OF WORK, CONTRACTOR SHALL REMOVE ALL MATERIAL AND EQUIPMENT NOT SPECIFIED AS REMAINING ON THE PROPERTY.
- SOILS AT THE SITE CONTAIN SOFT SILT, CLAY AND HIGH GROUNDWATER AND MAY REQUIRE EQUIPMENT MATS TO SUPPORT CONSTRUCTION EQUIPMENT. CONSOLIDATION OF THE GROUND SURFACE SHOULD BE EXPECTED. CONTRACTOR IS RESPONSIBLE FOR DETERMINING NEED FOR, DESIGNING, PROCURING, INSTALLING, USING AND REMOVING ANY EQUIPMENT MATS NEEDED TO ALLOW FOR EQUIPMENT OPERATION SUFFICIENT TO CONSTRUCT THE PROJECT.
- NOTES AND DETAILS ON THE DRAWINGS SHALL TAKE PRECEDENCE OVER GENERAL NOTES HEREIN.
- DIMENSIONS CALLOUTS SHALL TAKE PRECEDENCE OVER SCALES SHOWN ON THE DRAWINGS.
- ACCESS AND STAGING AREAS SHOWN ON DRAWINGS ARE POTENTIAL AND ARE REPRESENTATIVE OF THE MAXIMUM AREA TO BE DISTURBED. CONTRACTOR SHALL SUBMIT FOR APPROVAL A CONSTRUCTION ACCESS AND STAGING PLAN 10 DAYS PRIOR TO SITE WORK. CONTRACTOR SHALL STAKE PROPOSED ACCESS AND STAGING AREAS FOR REVIEW AND APPROVAL BY THE CONTRACTING AGENCY PRIOR TO CLEARING. EQUIPMENT AND MATERIAL SHALL NOT BE STORED OUTSIDE THE APPROVED STAGING AREA EXTENTS, UNLESS APPROVED BY THE CONTRACTING AGENCY.
- CONTRACTOR SHALL LIMIT MACHINERY MOVEMENT AND DISTURBANCE TO STAGING AREAS, AS SHOWN ON THE DRAWINGS OR AS APPROVED BY THE CONTRACTING AGENCY REPRESENTATIVE. CONTRACTOR SHALL MINIMIZE GROUND VIBRATIONS AND DAMAGE TO SLOPES BY UTILIZING APPROPRIATE CONSTRUCTION EQUIPMENT.
- ALL AREAS WITHIN THE CLEARING LIMITS SHALL BE CLEARED AND GRUBBED OF INVASIVE PLANTS ONLY AND HAULED OFFSITE. ROOTS OF INVASIVE PLANTS (EXCLUDING CHERRY LAUREL) SHALL BE GRUBBED FROM THE SOIL AND HAULED OFFSITE. CHERRY LAUREL ROOTS SHALL REMAIN INTACT AND IN THE GROUND FOR EROSION CONTROL PURPOSES. INVASIVE SPECIES INCLUDE BUT ARE NOT LIMITED TO HIMALAYAN BLACKBERRY AND ENGLISH IVY.
- MULCH WILL BE STOCKPILED ALONG ACCESS PATHS BY THE CONTRACTOR AS APPROVED/IDENTIFIED BY THE CITY'S REPRESENTATIVE. THE STOCKPILING OF MULCH SHALL OCCUR AFTER CONSTRUCTION OF ALL THE IN-STREAM STRUCTURES BUT PRIOR TO RESTORATION OF THE ACCESS PATHS AND PROJECT CLOSE OUT.
- CONTRACTOR SHALL RESTORE ALL DISTURBED AREAS AS INDICATED ON DRAWINGS OR AS DIRECTED BY CONTRACTING AGENCY.
- THE CONTRACTOR SHALL PROVIDE THE TEMPORARY ACCESS PLAN TO THE CONTRACTING AGENCY FOR REVIEW AND APPROVAL PRIOR TO CONSTRUCTION.



CITY OF MERCER ISLAND
 MERCER ISLAND PUBLIC WORKS
 9601 SE 36TH STREET
 MERCER ISLAND, WA 98040
 206-275-7608
 WWW.MERCERISLAND.GOV/PUBLICWORKS



nhc
 2600 Capitol Avenue, Suite 140 Sacramento, California 95816
 Phone: (916) 371-7400 www.nhcweb.com

**PRELIMINARY
 NOT FOR
 CONSTRUCTION**

REVISIONS			DRAWING INFORMATION	
##	DATE	DESCRIPTION	DATE	14:34:28 20250815
			STATUS	90% SUBMITTAL
			DESIGNER/DRAFTER	DGH / TS
			CHECKED	VDC
			COORDINATE	WA83-NF
			FILE NAME	SUBBASIN 46a3 - COVER_R0
			PLOTTED SCALE	0 1/2 1

**SUBBASIN 46.3 WATERCOURSE
 STABILIZATION PROJECT**

NOTES

JOB NUMBER
2008561

SHEET NUMBER
G002

SHEET 2 OF 13

LAST SAVED BY: dheckendorff LAST DATE SAVED: 08/15/2025 14:34
 FILE LOCATION: N:\2008561_SUBBASIN_46_3A_WATERCOURSE_STABILIZATION_DESIGN\96_CAD\02_DESIGNPRODUCTION\0100_CURRENT\100-DESIGN\SUBBASIN_46a3_COVER_R0.DWG

LEGEND

CONTROL POINTS	
EXISTING TREES	
EXISTING PAVED ROAD	
EXISTING GRAVEL ROAD	
EXISTING CONTOURS (MAJOR)	
EXISTING CONTOURS (MINOR)	
EXISTING EDGE OF WATER (00/00/00)	
EXISTING BUILDINGS & STRUCTURES	
EXISTING RIGHT-OF-WAY	
EXISTING STORM DRAIN	
EXISTING GAS LINE	
EXISTING ORDINARY HIGH WATER MARK	
EXISTING SANITARY SEWER LINE	
EXISTING WATER LINE	
EXISTING PROPERTY LINE	
EXISTING EASEMENT	
EXISTING CATCH BASIN	
EXISTING SANITARY SEWER MANHOLE	
EXISTING WETLAND (APPROX BOUNDARY)	
EXISTING TREE	
EXISTING LARGE DOWNED WOOD	
EXISTING DECIDUOUS TREE	
EXISTING CONIFEROUS TREE	
EXISTING TREE TO BE REMOVED	

LEGEND

CONSTRUCTION BASELINE	
CONSTRUCTION FENCE	
PRESERVATION FENCE WITH SILT BARRIER	
PROPOSED CONTOUR	
PROPOSED GRADING	
CONSTRUCTION WORK LIMIT	
POTENTIAL TEMPORARY ACCESS ROUTE	
TEMPORARY ROCK CHUTE LOCATION	
PROPOSED TYPE 1 ELJ	
PROPOSED TYPE 2 ELJ	
PROPOSED EXISTING WEIR STABILIZATION	
APPROXIMATE TREE SURVEY EXTENTS	
MAPPED LANDSLIDE	

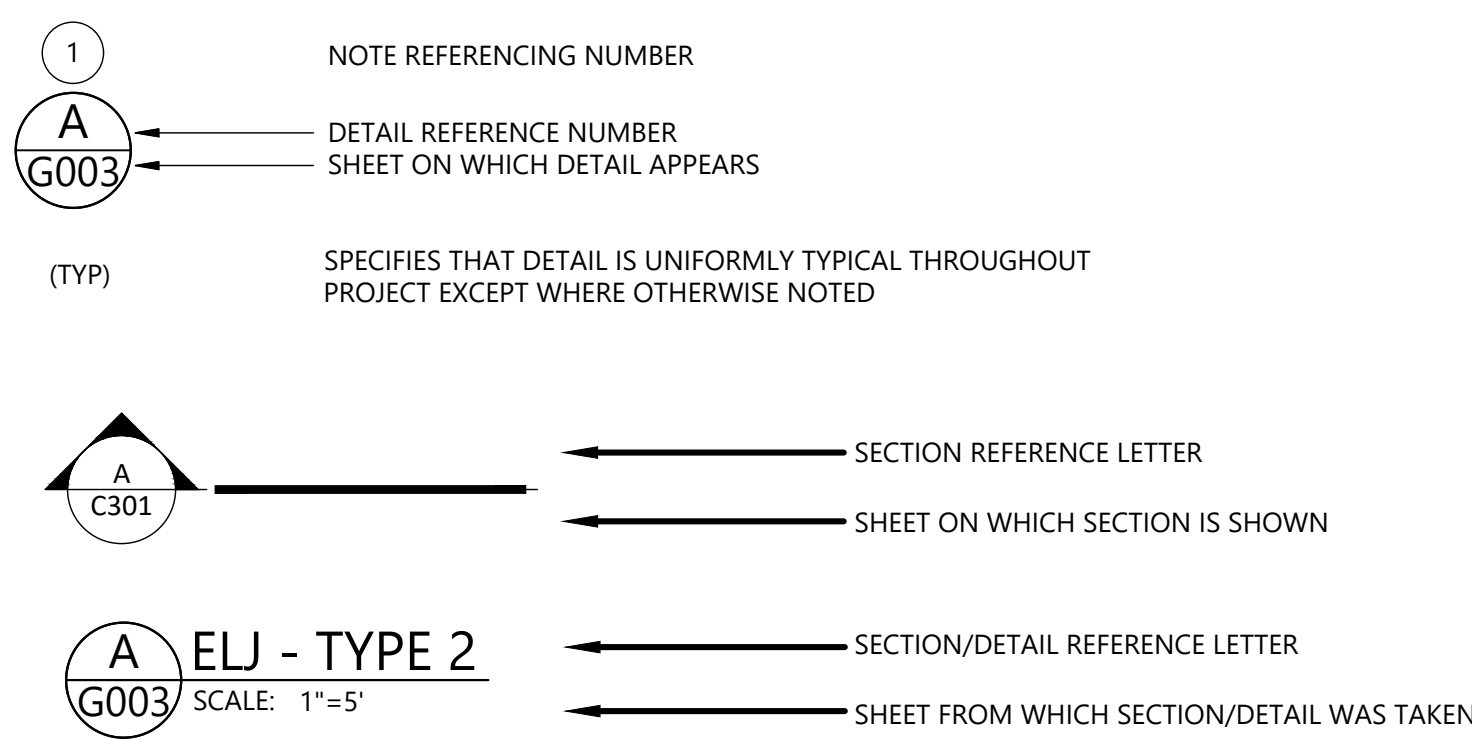
PROPOSED HATCHES

STRUCTURAL BACKFILL	
LOCAL SOIL BACKFILL	
BOULDER/SEDIMENT MIX	
COBBLE/SEDIMENT MIX	
TEMPORARY STAGING AREA	
SLASH	
ROCK CHUTE	

ABBREVIATIONS:

AVE	AVENUE	MC	MAIN CHANNEL
B	BORING LOCATION	MEG	MATCH EXISTING GRADE
BLDG	BUILDING	MW	MONITORING WELL
BFM	BONDED FIBER MATRIX	MUTCD	MANUAL OF UNIFORM TRAFFIC CONTROL DEVICES
BMP(S)	BEST MANAGEMENT PRACTICE(S)	N	NORTH / NORTHING
BP	TEMPORARY BYPASS ROAD	NAD83	NORTH AMERICAN DATUM, 1983
C	CURVE, CUT	NAVD88	NORTH AMERICAN VERTICAL DATUM, 1988
CF	CUBIC FOOT	NE	NORTHEAST
CFS	CUBIC FOOT PER SECOND	NTS	NOT TO SCALE
CLV	CULVERT	NW	NORTHWEST
CPE	CORRUGATED POLYETHYLENE	O.C.	ON CENTER
CSBC	CRUSHED SURFACING BASE COURSE	OHW	ORDINARY HIGH WATER
CSS	CHANNEL SPANNING STRUCTURE	OHWM	ORDINARY HIGH WATER MARK
CSWPPP	CONSTRUCTION STORMWATER POLLUTION PREVENTION PLAN	PL	PROPERTY LINE/ PLACE
CY	CUBIC YARD	PWS	PROFESSIONAL WETLAND SCIENTIST
DBH	DIAMETER BREAST HEIGHT	R	RADIUS
DIA(M)	DIAMETER	RCP	REINFORCED CONCRETE PIPE
DWG	DRAWING	RD	ROAD
E	EAST / EASTING	RM	RIVER MILE
EG	EXISTING GROUND	R/W	RIGHT OF WAY
ELEV	ELEVATION	S.R.	STATE ROUTE
ELJ	ENGINEERED LOG JAM	SB	SUBBASIN
ESC	EROSION SEDIMENT CONTROL	SC	SIDE CHANNEL
EXST	EXISTING	SE	SOUTHEAST
FG	FINISHED GRADE	STA	STATION
F	FILL	STD	STANDARD
FT	FEET	SW	SOUTHWEST
GAL	GALLON	SWDM	SURFACE WATER DESIGN MANUAL
GWSE	GROUNDWATER SURFACE ELEVATION	SWPPP	STORMWATER POLLUTION PREVENTION PLAN
H	HORIZONTAL	TBD	TO BE DETERMINED
HPA	HYDRAULIC PROJECT APPROVAL	TESC	TEMPORARY EROSION AND SEDIMENT CONTROL
ID	IDENTIFIER	TP	TEST PIT
IE	INVERT ELEVATION	TYP	TYP
IN	INCH	U.S.	UNITED STATES
INC	INCORPORATED	UNT	UNNAMED TRIBUTARY
L	LINE	V	VERTICAL
LAT	LATITUDE	WAC	WASHINGTON ADMINISTRATIVE CODE
LF	LINEAR FEET	WDFW	WASHINGTON DEPARTMENT OF FISH AND WILDLIFE
LE	LEVEE EXCAVATION	WQMP	WATER QUALITY MANAGEMENT PLAN
LE	LONGITUDE	WSDOT	WASHINGTON STATE DEPARTMENT OF TRANSPORTATION
LS	LEVEE SETBACK	WSEL	WATER SURFACE ELEVATION
		YR	YEAR

DETAIL AND SECTION REFERENCING:



CITY OF MERCER ISLAND
 MERCER ISLAND PUBLIC WORKS
 9601 SE 36TH STREET
 MERCER ISLAND, WA 98040
 206-275-7608
 WWW.MERCERISLAND.GOV/PUBLICWORKS

nhc
 2600 Capitol Avenue, Suite 140 Sacramento, California 95816
 Phone: (916) 371-7400 www.nhcweb.com

**PRELIMINARY
 NOT FOR
 CONSTRUCTION**

REVISIONS			DRAWING INFORMATION	
##	DATE	DESCRIPTION	DATE	
			14:34:28 20250815	
			STATUS	90% SUBMITTAL
			DESIGNER/DRAFTER	DGH / TS
			CHECKED	VDC
			COORDINATE	WA83-NF
			FILE NAME	SUBBASIN 46a3 - COVER_R0
			PLOTTED SCALE	

**SUBBASIN 46.3 WATERCOURSE
 STABILIZATION PROJECT**

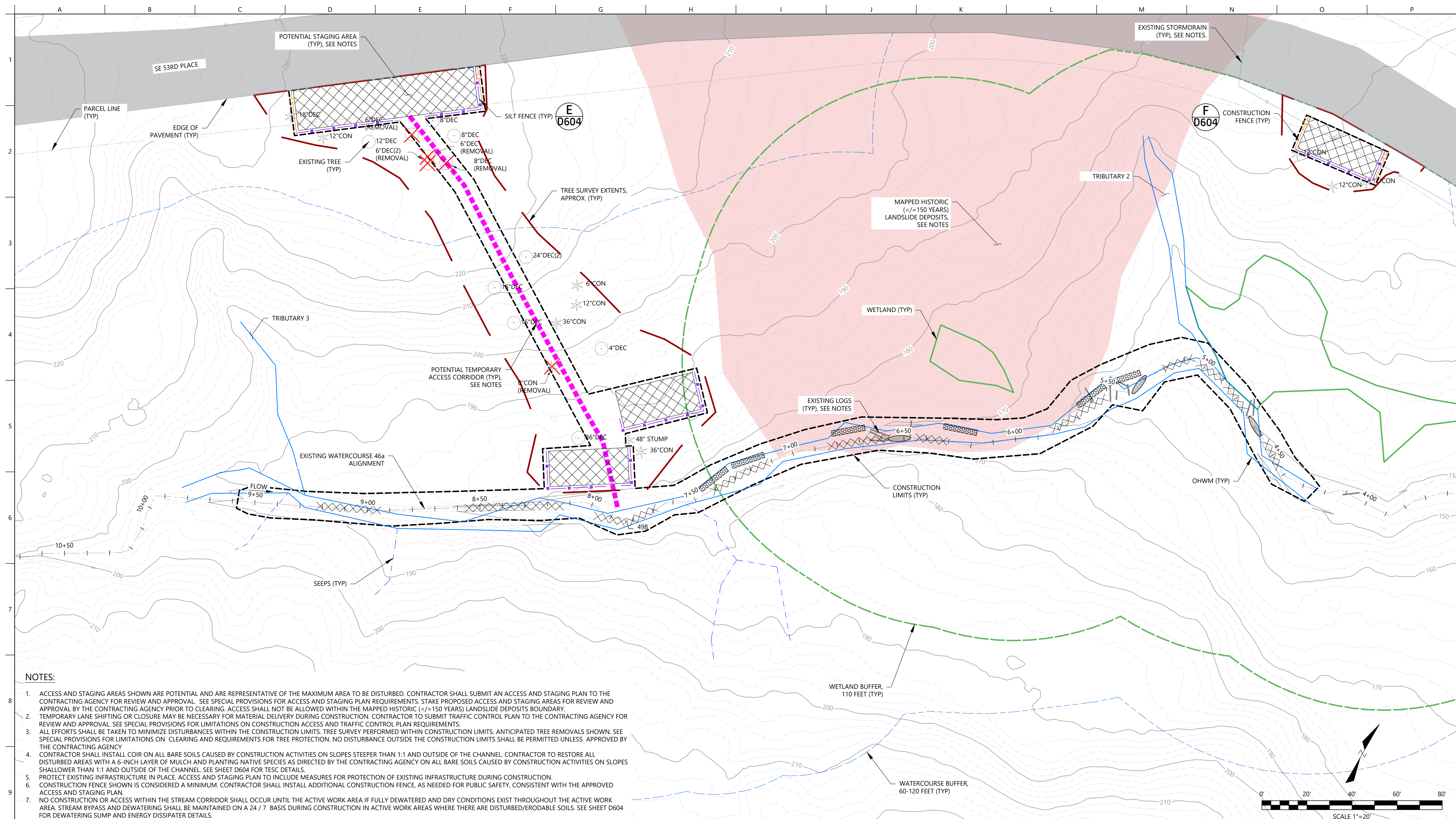
ABBREVIATIONS & LEGEND

JOB NUMBER
2008561

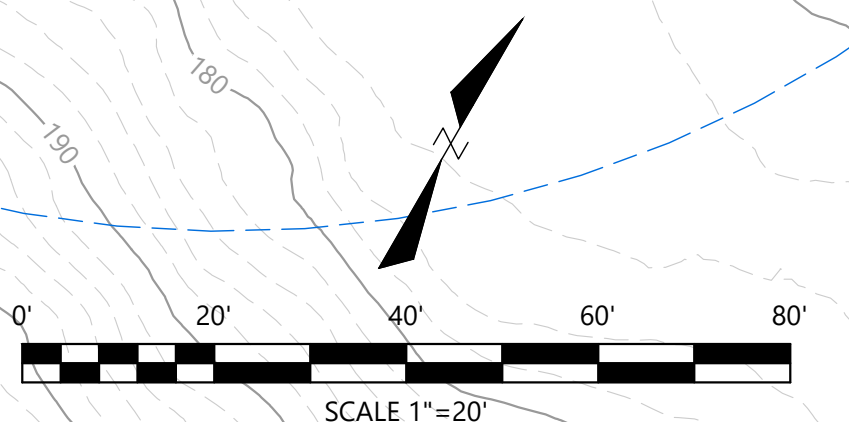
SHEET NUMBER
G003

SHEET 3 OF 13

LAST SAVED BY: rcheckendorf LAST DATE SAVED: 08/15/2025 14:34
 FILE LOCATION: K:\2008561 - SUBBASIN 46.3A WATERCOURSE STABILIZATION DESIGN\96_CAD\02 DESIGN\PRODUCTION\0100_CURRENT\100-DESIGN\SUBBASIN 46a3 - COVER_R0.DWG



- NOTES:**
1. ACCESS AND STAGING AREAS SHOWN ARE POTENTIAL AND ARE REPRESENTATIVE OF THE MAXIMUM AREA TO BE DISTURBED. CONTRACTOR SHALL SUBMIT AN ACCESS AND STAGING PLAN TO THE CONTRACTING AGENCY FOR REVIEW AND APPROVAL. SEE SPECIAL PROVISIONS FOR ACCESS AND STAGING PLAN REQUIREMENTS. STAKE PROPOSED ACCESS AND STAGING AREAS FOR REVIEW AND APPROVAL BY THE CONTRACTING AGENCY PRIOR TO CLEARING. ACCESS SHALL NOT BE ALLOWED WITHIN THE MAPPED HISTORIC (<=150 YEARS) LANDSLIDE DEPOSITS BOUNDARY.
 2. TEMPORARY LANE SHIFTING OR CLOSURE MAY BE NECESSARY FOR MATERIAL DELIVERY DURING CONSTRUCTION. CONTRACTOR TO SUBMIT TRAFFIC CONTROL PLAN TO THE CONTRACTING AGENCY FOR REVIEW AND APPROVAL. SEE SPECIAL PROVISIONS FOR LIMITATIONS ON CONSTRUCTION ACCESS AND TRAFFIC CONTROL PLAN REQUIREMENTS.
 3. ALL EFFORTS SHALL BE TAKEN TO MINIMIZE DISTURBANCES WITHIN THE CONSTRUCTION LIMITS. TREE SURVEY PERFORMED WITHIN CONSTRUCTION LIMITS. ANTICIPATED TREE REMOVALS SHOWN. SEE SPECIAL PROVISIONS FOR LIMITATIONS ON CLEARING AND REQUIREMENTS FOR TREE PROTECTION. NO DISTURBANCE OUTSIDE THE CONSTRUCTION LIMITS SHALL BE PERMITTED UNLESS APPROVED BY THE CONTRACTING AGENCY.
 4. CONTRACTOR SHALL INSTALL COIR ON ALL BARE SOILS CAUSED BY CONSTRUCTION ACTIVITIES ON SLOPES STEEPER THAN 1:1 AND OUTSIDE OF THE CHANNEL. CONTRACTOR TO RESTORE ALL DISTURBED AREAS WITH A 6-INCH LAYER OF MULCH AND PLANTING NATIVE SPECIES AS DIRECTED BY THE CONTRACTING AGENCY ON ALL BARE SOILS CAUSED BY CONSTRUCTION ACTIVITIES ON SLOPES SHALLOWER THAN 1:1 AND OUTSIDE OF THE CHANNEL. SEE SHEET D604 FOR TESC DETAILS.
 5. PROTECT EXISTING INFRASTRUCTURE IN PLACE. ACCESS AND STAGING PLAN TO INCLUDE MEASURES FOR PROTECTION OF EXISTING INFRASTRUCTURE DURING CONSTRUCTION.
 6. CONSTRUCTION FENCE SHOWN IS CONSIDERED A MINIMUM. CONTRACTOR SHALL INSTALL ADDITIONAL CONSTRUCTION FENCE, AS NEEDED FOR PUBLIC SAFETY, CONSISTENT WITH THE APPROVED ACCESS AND STAGING PLAN.
 7. NO CONSTRUCTION OR ACCESS WITHIN THE STREAM CORRIDOR SHALL OCCUR UNTIL THE ACTIVE WORK AREA IS FULLY DEWATERED AND DRY CONDITIONS EXIST THROUGHOUT THE ACTIVE WORK AREA. STREAM BYPASS AND DEWATERING SHALL BE MAINTAINED ON A 24 / 7 BASIS DURING CONSTRUCTION IN ACTIVE WORK AREAS WHERE THERE ARE DISTURBED/ERODABLE SOILS. SEE SHEET D604 FOR DEWATERING SUMP AND ENERGY DISSIPATER DETAILS.




CITY OF MERCER ISLAND
 MERCER ISLAND PUBLIC WORKS
 9601 SE 36TH STREET
 MERCER ISLAND, WA 98040
 206-275-7608
 WWW.MERCERISLAND.GOV/PUBLICWORKS



12787 Gateway Drive South Tukwila, Washington 98168
 Phone: (206) 241-6000 www.nhcweb.com

**PRELIMINARY
 NOT FOR
 CONSTRUCTION**

REVISIONS			DRAWING INFORMATION	
##	DATE	DESCRIPTION	DATE	
			12:16:23 20250816	
			STATUS	90% SUBMITTAL
			DESIGNER/DRAFTER	DGH / TS
			CHECKED	VDC
			COORDINATE	WA83-NF
			FILE NAME	SUBBASIN 46a3 - CIVIL_R0a
			PLOTTED SCALE	0 1/2 1

**SUBBASIN 46.3 WATERCOURSE
 STABILIZATION PROJECT**

**EXISTING CONDITIONS, ACCESS, STAGING,
 & TESC**

JOB NUMBER
2008561

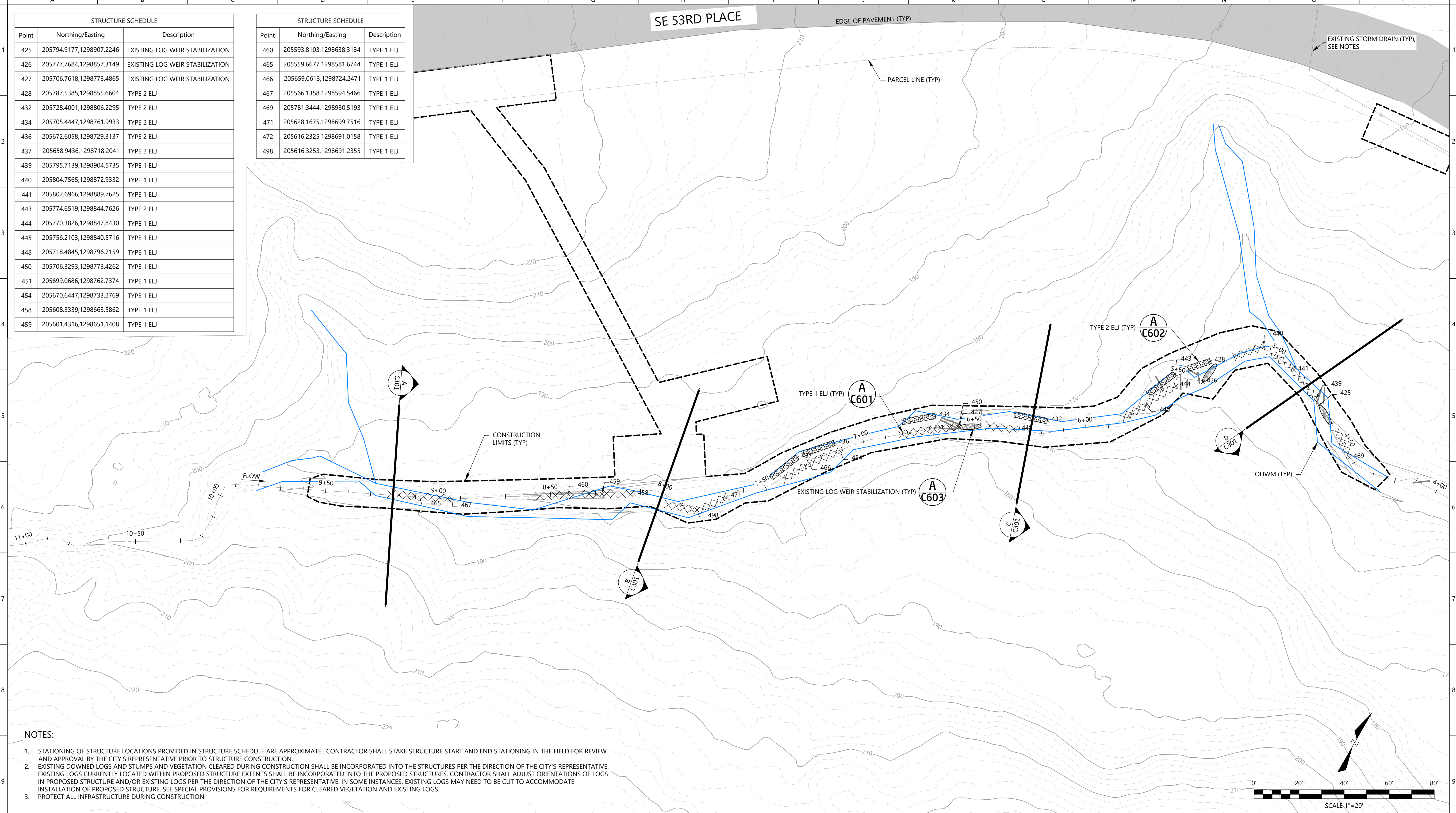
SHEET NUMBER
G100

SHEET 4 OF 13

LAST SAVED BY: rcheckendorf LAST DATE SAVED: 08/16/2025 12:16
 FILE LOCATION: \\C:\2008561 - SUBBASIN_46_3A_WATERCOURSE_STABILIZATION_DESIGN\96_CAD\02_DESIGNPRODUCTION\0100_CURRENT\100-DESIGN\SUBBASIN_46A3 - CIVIL_R0A.DWG

Point	Northing/Easting	Description
425	205794.9177,1298907.2246	EXISTING LOG WEIR STABILIZATION
426	205777.7684,1298857.3149	EXISTING LOG WEIR STABILIZATION
427	205706.7618,1298773.4865	EXISTING LOG WEIR STABILIZATION
428	205787.5385,1298855.6604	TYPE 2 ELJ
432	205728.4001,1298806.2295	TYPE 2 ELJ
434	205705.4447,1298761.9933	TYPE 2 ELJ
436	205672.6058,1298729.3137	TYPE 2 ELJ
437	205658.9436,1298718.2041	TYPE 2 ELJ
439	205795.7139,1298904.5735	TYPE 1 ELJ
440	205804.7565,1298872.9332	TYPE 1 ELJ
441	205802.6966,1298889.7625	TYPE 1 ELJ
443	205774.6519,1298844.7626	TYPE 2 ELJ
444	205770.3826,1298847.8430	TYPE 1 ELJ
445	205756.2103,1298840.5716	TYPE 1 ELJ
448	205718.4845,1298796.7159	TYPE 1 ELJ
450	205706.3293,1298773.4262	TYPE 1 ELJ
451	205699.0686,1298762.7374	TYPE 1 ELJ
454	205670.6447,1298733.2769	TYPE 1 ELJ
458	205608.3339,1298663.5862	TYPE 1 ELJ
459	205601.4316,1298651.1408	TYPE 1 ELJ

Point	Northing/Easting	Description
460	205593.8103,1298638.3134	TYPE 1 ELJ
465	205559.6677,1298581.6744	TYPE 1 ELJ
466	205659.0613,1298724.2471	TYPE 1 ELJ
467	205566.1358,1298594.5466	TYPE 1 ELJ
469	205781.3444,1298930.5193	TYPE 1 ELJ
471	205628.1675,1298699.7516	TYPE 1 ELJ
472	205616.2325,1298691.0158	TYPE 1 ELJ
498	205616.3253,1298691.2355	TYPE 1 ELJ



- NOTES:**
1. STATIONING OF STRUCTURE LOCATIONS PROVIDED IN STRUCTURE SCHEDULE ARE APPROXIMATE. CONTRACTOR SHALL STAKE STRUCTURE START AND END STATIONING IN THE FIELD FOR REVIEW AND APPROVAL BY THE CITY'S REPRESENTATIVE PRIOR TO STRUCTURE CONSTRUCTION.
 2. EXISTING DOWNED LOGS AND STUMPS AND VEGETATION CLEARED DURING CONSTRUCTION SHALL BE INCORPORATED INTO THE STRUCTURES PER THE DIRECTION OF THE CITY'S REPRESENTATIVE. EXISTING LOGS CURRENTLY LOCATED WITHIN PROPOSED STRUCTURE EXTENTS SHALL BE INCORPORATED INTO THE PROPOSED STRUCTURES. CONTRACTOR SHALL ADJUST ORIENTATIONS OF LOGS IN PROPOSED STRUCTURE AND/OR EXISTING LOGS PER THE DIRECTION OF THE CITY'S REPRESENTATIVE. IN SOME INSTANCES, EXISTING LOGS MAY NEED TO BE CUT TO ACCOMMODATE INSTALLATION OF PROPOSED STRUCTURE. SEE SPECIAL PROVISIONS FOR REQUIREMENTS FOR CLEARED VEGETATION AND EXISTING LOGS.
 3. PROTECT ALL INFRASTRUCTURE DURING CONSTRUCTION.



CITY OF MERCER ISLAND
 MERCER ISLAND PUBLIC WORKS
 9601 SE 36TH STREET
 MERCER ISLAND, WA 98040
 206-275-7608
 WWW.MERCERISLAND.GOV/PUBLICWORKS



nhc
 12787 Gateway Drive South Tukwila, Washington 98168
 Phone: (206) 241-6000 www.nhcweb.com

**PRELIMINARY
 NOT FOR
 CONSTRUCTION**

REVISIONS			DRAWING INFORMATION	
##	DATE	DESCRIPTION	DATE	
			12:16:23 20250816	
			STATUS	90% SUBMITTAL
			DESIGNER/DRAFTER	DGH / TS
			CHECKED	VDC
			COORDINATE	WA83-NF
			FILE NAME	SUBBASIN 46a3 - CIVIL_R0a
			PLOTTED SCALE	0 1/2 1

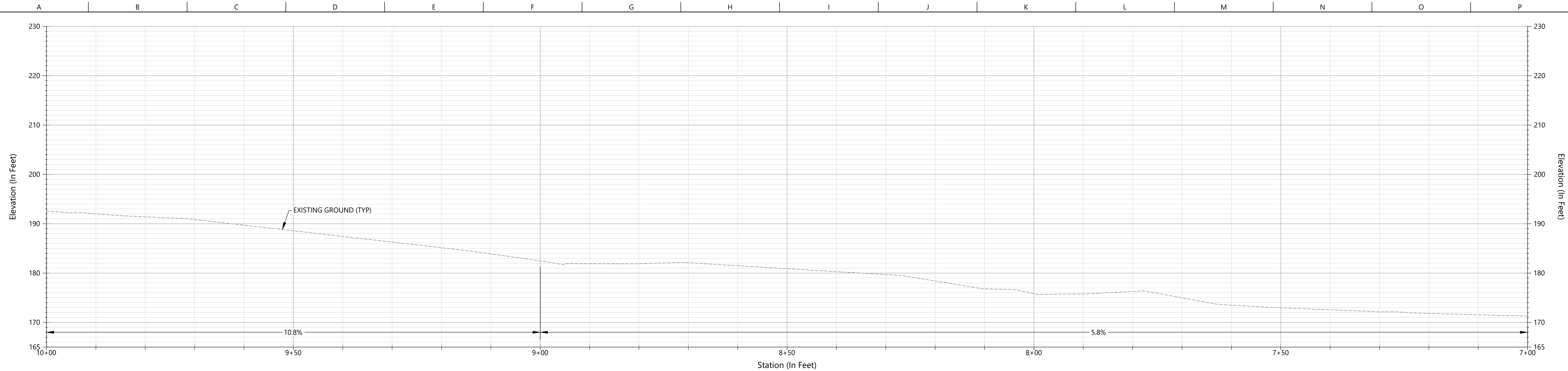
**SUBBASIN 46.3 WATERCOURSE
 STABILIZATION PROJECT**

WATERCOURSE STABILIZATION PLAN

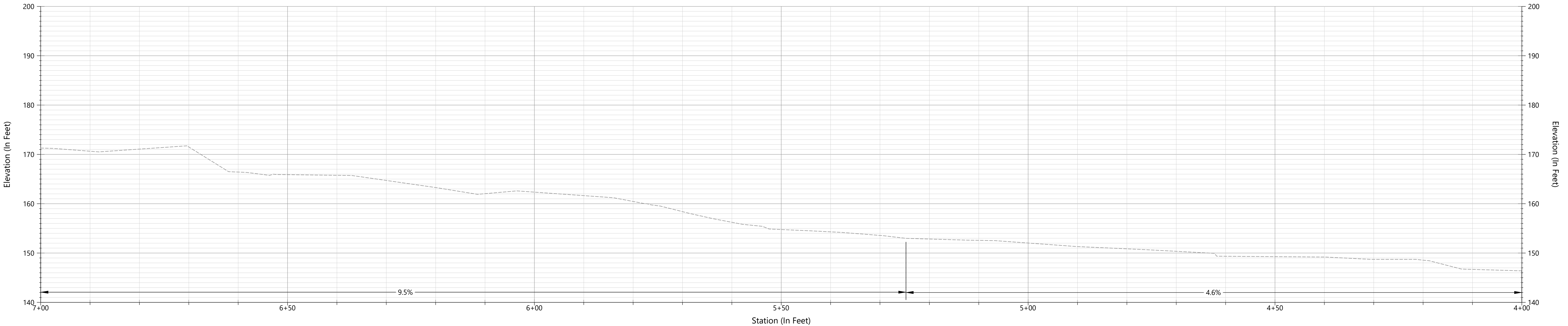
JOB NUMBER
2008561

SHEET NUMBER
C101

SHEET 5 OF 13




CHANNEL PROFILE
SCALE: 1"=10'



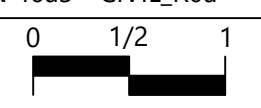
CHANNEL PROFILE
SCALE: 1"=10'

- NOTES:**
- REACH-AVERAGED EXISTING GRADE SLOPES SHOWN.

 **CITY OF MERCER ISLAND**
 MERCER ISLAND PUBLIC WORKS
 9601 SE 36TH STREET
 MERCER ISLAND, WA 98040
 206-275-7608
 WWW.MERCERISLAND.GOV/PUBLICWORKS


 12787 Gateway Drive South Tukwila, Washington 98168
 Phone: (206) 241-6000 www.nhcweb.com

**PRELIMINARY
NOT FOR
CONSTRUCTION**

REVISIONS			DRAWING INFORMATION	
##	DATE	DESCRIPTION	DATE	
			12:16:23 20250816	
			STATUS	90% SUBMITTAL
			DESIGNER/DRAFTER	DGH / TS
			CHECKED	VDC
			COORDINATE	WA83-NF
			FILE NAME	SUBBASIN 46a3 - CIVIL_R0a
			PLOTTED SCALE	

**SUBBASIN 46.3 WATERCOURSE
STABILIZATION PROJECT**

PROFILES

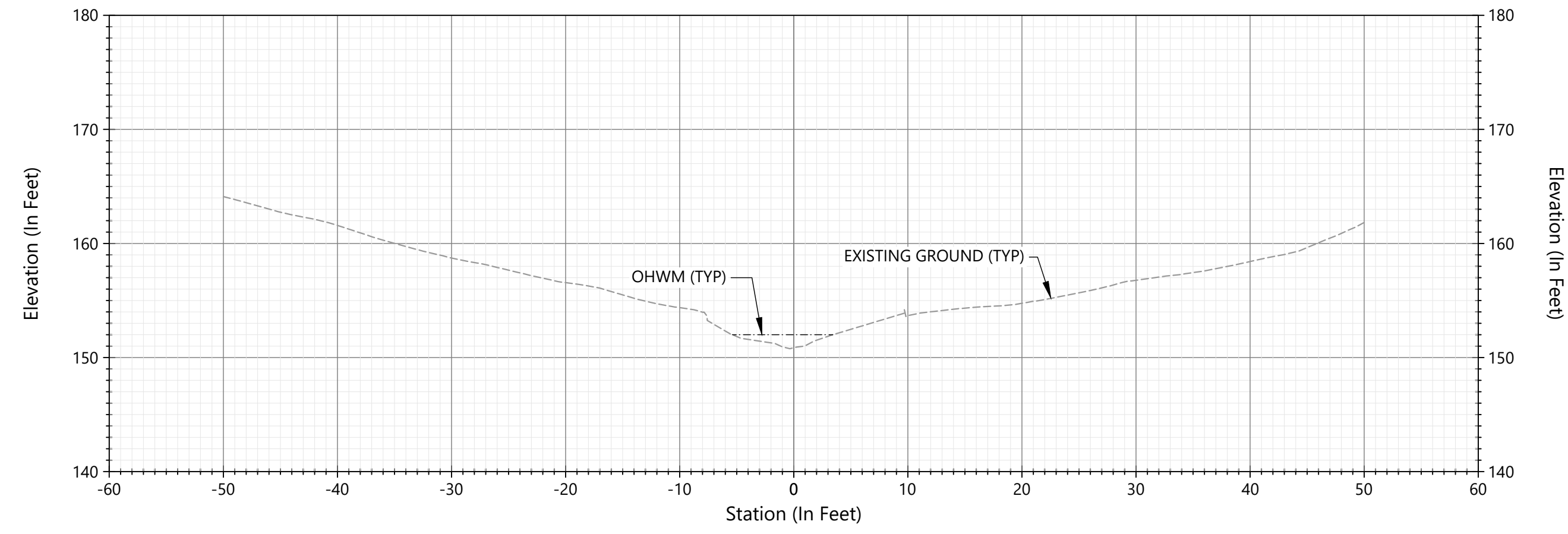
JOB NUMBER
2008561

SHEET NUMBER
C201

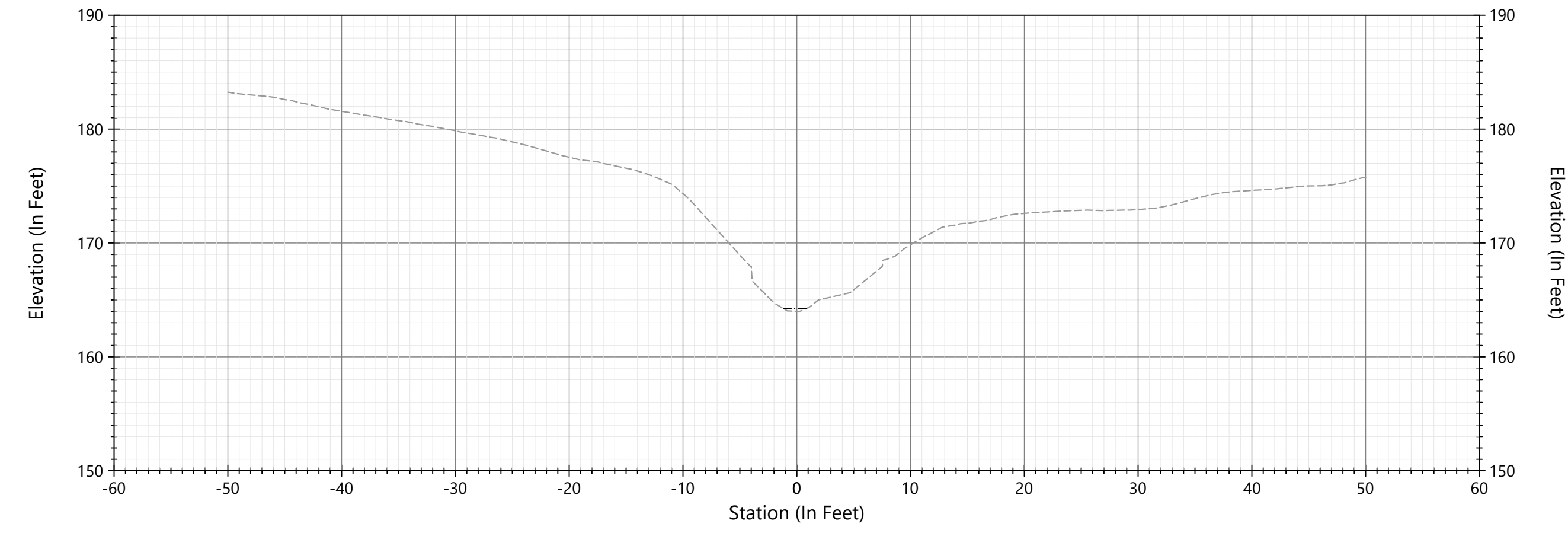
SHEET 6 OF 13

LAST SAVED BY: rcheckendorf LAST DATE SAVED: 08/16/2025 12:16
 FILE LOCATION: \\2008561_SUBBASIN_46_3A_WATERCOURSE_STABILIZATION_DESIGN\100_CURRENT\100-DESIGN\SUBBASIN 46A3 - CIVIL_R0A.DWG

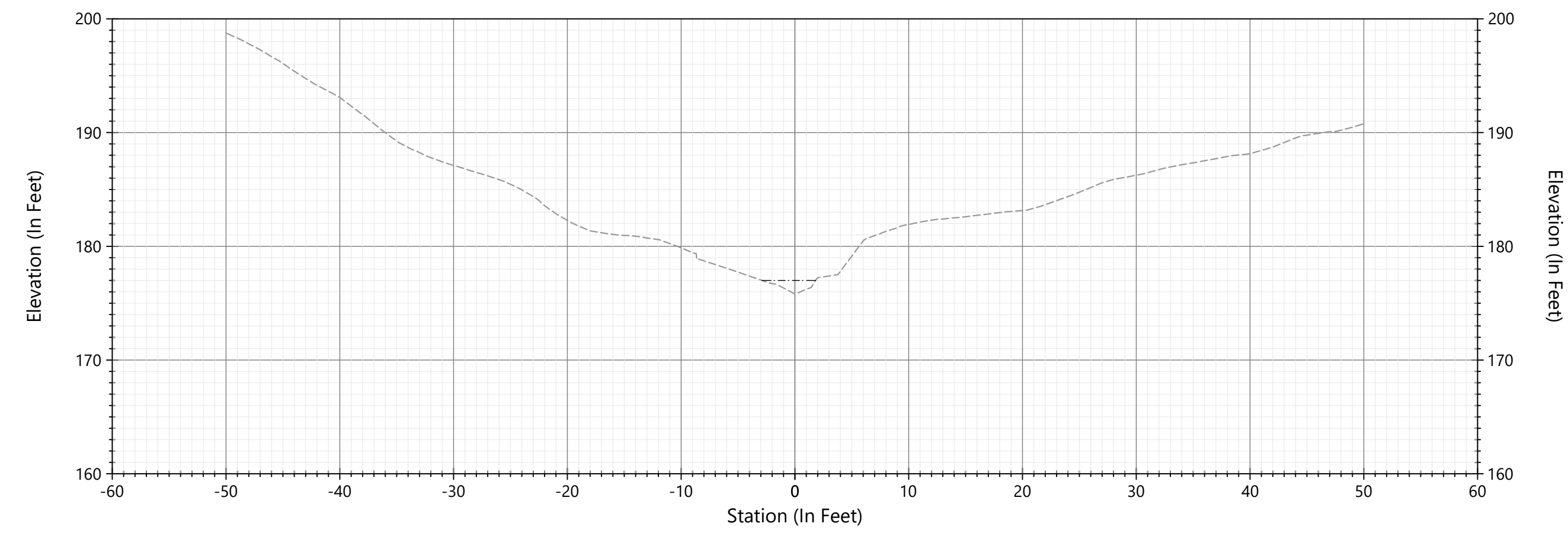
LAST SAVED BY: rcheckendorf LAST DATE SAVED: 08/16/2025 12:16
 FILE LOCATION: \\C:\2008561_SUBBASIN_46_3A_WATERCOURSE_STABILIZATION_DESIGN\96_CAD\02_DESIGNPRODUCTION\0100_CURRENT\100-DESIGN\SUBBASIN_46A3 - CIVIL_R0A.DWG



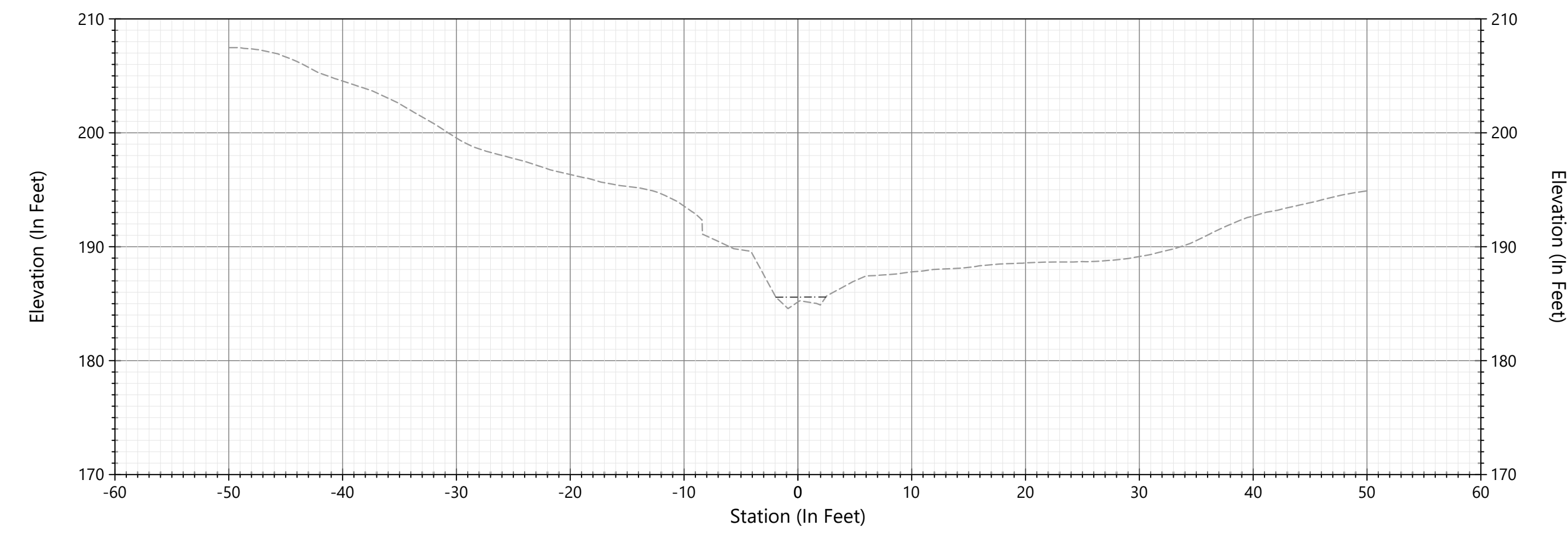
A STA 4+80
C301 SCALE: 1"=10'



B STA 6+25
C301 SCALE: 1"=10'



C STA 8+00
C301 SCALE: 1"=10'



D STA 9+20
C301 SCALE: 1"=10'



CITY OF MERCER ISLAND
 MERCER ISLAND PUBLIC WORKS
 9601 SE 36TH STREET
 MERCER ISLAND, WA 98040
 206-275-7608
 WWW.MERCERISLAND.GOV/PUBLICWORKS



12787 Gateway Drive South Tukwila, Washington 98168
 Phone: (206) 241-6000 www.nhcweb.com

PRELIMINARY
 NOT FOR
 CONSTRUCTION

REVISIONS			DRAWING INFORMATION	
##	DATE	DESCRIPTION	DATE	
			12:16:23 20250816	
			STATUS	90% SUBMITTAL
			DESIGNER/DRAFTER	DGH / TS
			CHECKED	VDC
			COORDINATE	WA83-NF
			FILE NAME	SUBBASIN 46a3 - CIVIL_R0a
			PLOTTED SCALE	

**SUBBASIN 46.3 WATERCOURSE
 STABILIZATION PROJECT**

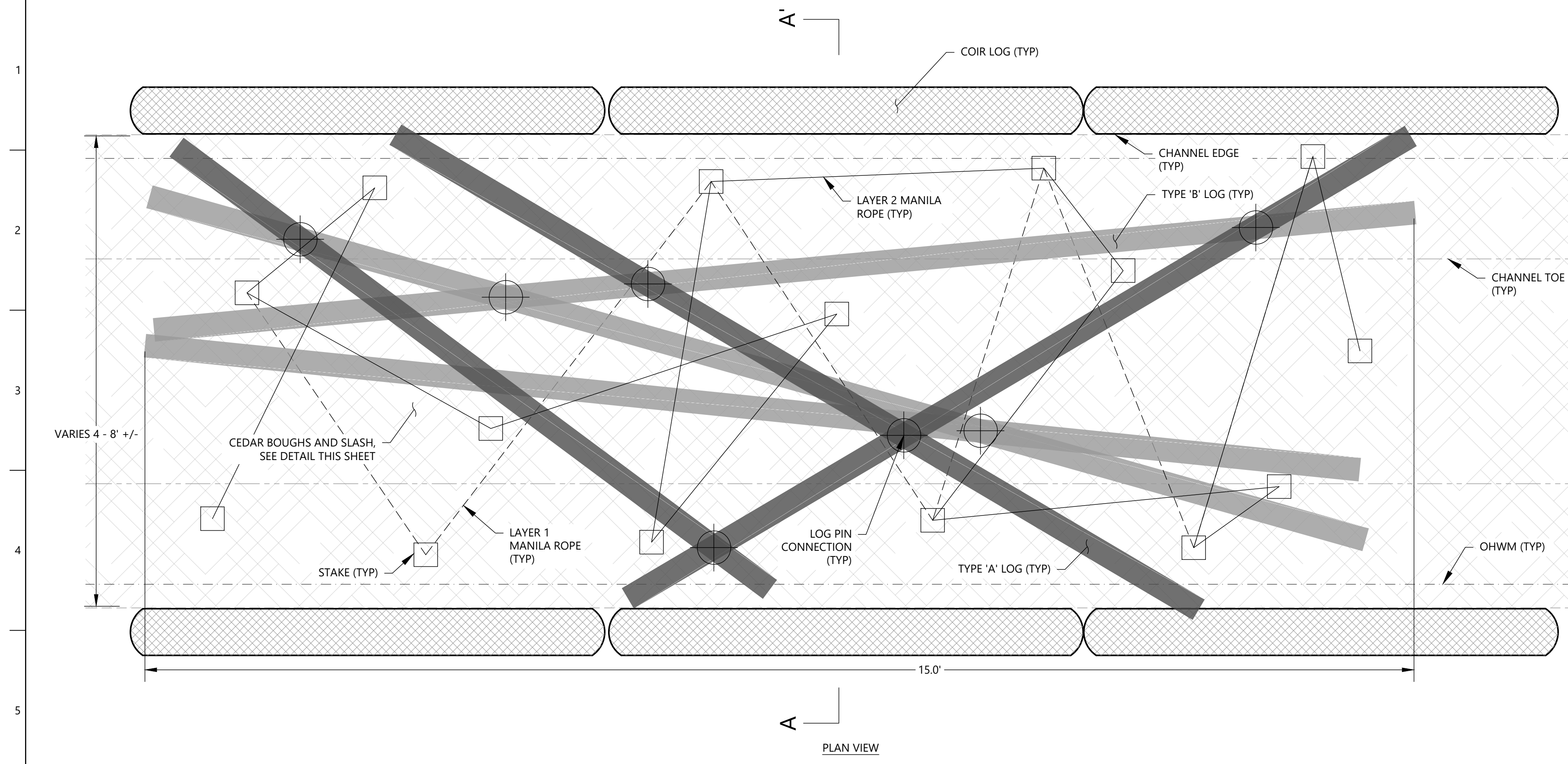
CROSS SECTIONS

JOB NUMBER
2008561

SHEET NUMBER

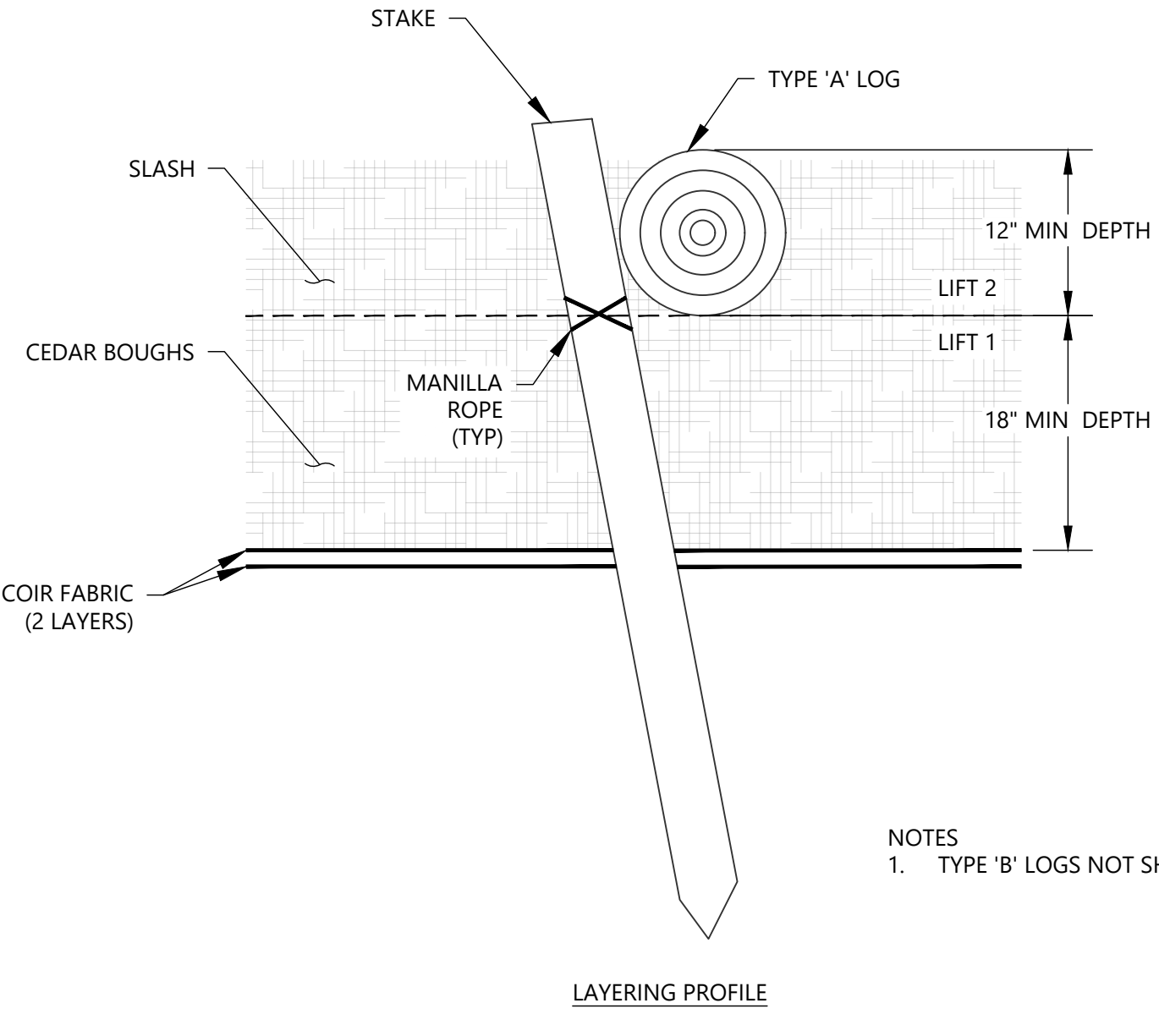
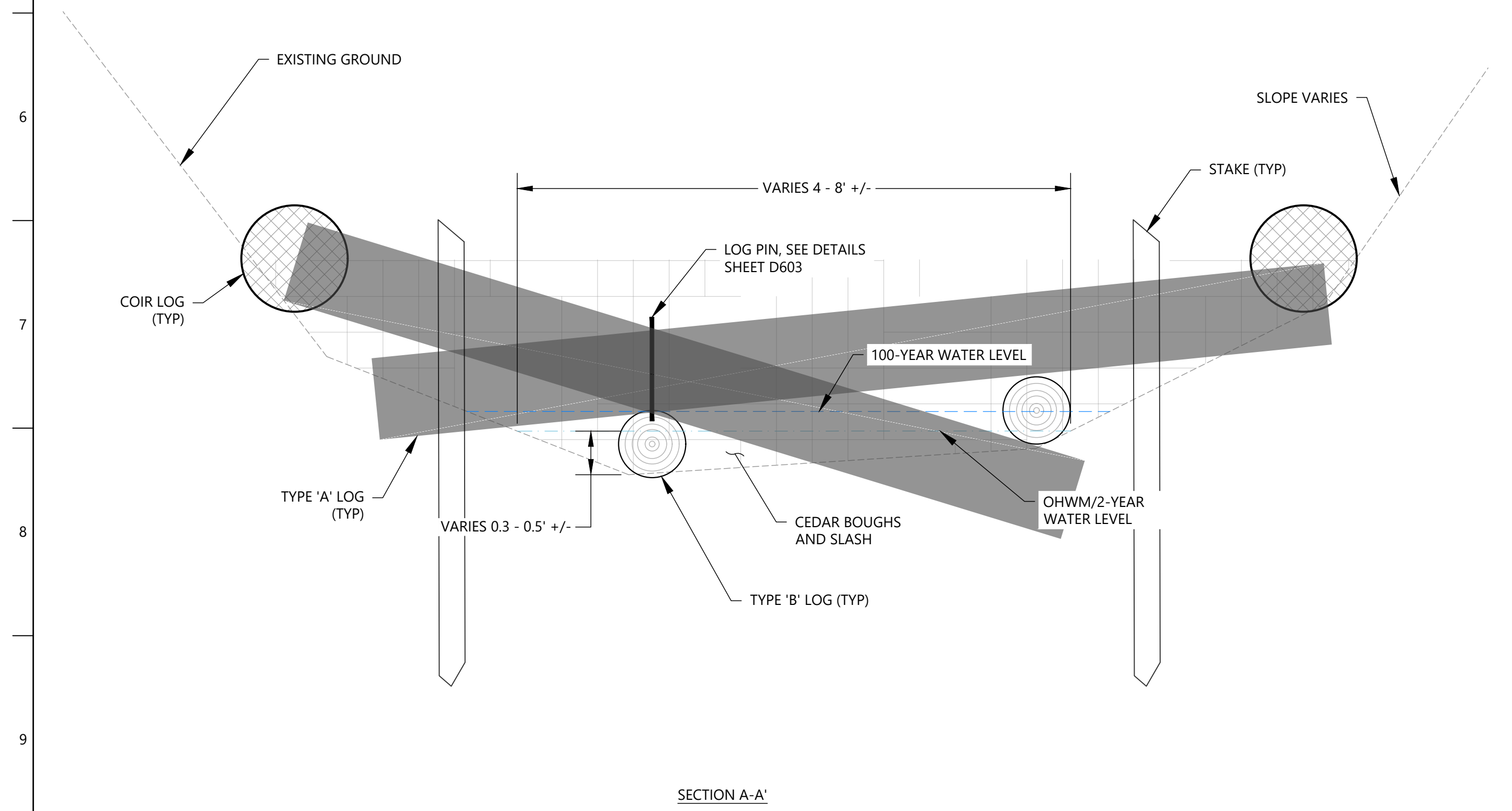
C301

SHEET 7 OF 13



TYPE 1 ELJ MATERIALS SCHEDULE (PER EACH)			
LOG ID	MATERIAL	UNITS	QTY
A	15' LONG, 12"Ø LOGS	EA	3
B	10' LONG, 10"Ø LOGS	EA	3
	CEDAR BOUGHS	CY	7
	SLASH	CY	5
	COIR 900 (INC 1" WOOD STAKES & U-STAPLES)	SY	34
	LOG PINS	EA	7
	2"x2"x48" DOUGLAS FIR STAKES	EA	14
	MANILA ROPE - 5/8"	LF	260
	COIR LOG	LF	30

- CONSTRUCTION NOTES**
- CEDAR BOUGHS TO BE MINIMUM 10' LONG AND 3/4" TO 2 1/2" Ø MEASURED AT CUT END.
 - CONSTRUCTION SEQUENCE:
 - STAKE STRUCTURE DOWNSTREAM EXTENT, PER CONTROL POINT TABLE SHEET C101. PLACEMENT AND LOCATIONS OF ALL ELEMENTS ARE APPROXIMATE AND MAY VARY AS DIRECTED BY CITY'S REPRESENTATIVE TO ACCOMMODATE CONDITIONS AT THE TIME OF CONSTRUCTION.
 - LAY 2 LAYERS OF COIR FABRIC ON CHANNEL BED (15'x10' NOMINAL). SHINGLE IN UPSTREAM DIRECTION, OVERLAP MIN. 5 FEET.
 - PLACE 'TYPE B' LOGS, ADJUSTING ORIENTATION AS DIRECTED BY CITY'S REPRESENTATIVE TO ACCOMMODATE SITE CONDITIONS AND INSTALL ALL LOG-LOG CONNECTIONS.
 - LAY LIFT 1 OF BOUGHS ON COIR FABRIC AND WITHIN 'TYPE B' LOGS. STARTING AT DOWNSTREAM END AND WORKING UPSTREAM. VARY BOUGH ORIENTATION TO ENTANGLE BOUGHS IN 18" THICK LAYER.
 - INSTALL STAKES AND FASTEN LAYER 1 MANILA ROPE, INTERWEAVING BETWEEN LOGS AND BOUGHS AS SHOWN.
 - PLACE 12" THICK COMPRESSED LAYER OF SLASH OVER LAYER 1 LOGS AND BOUGHS AND FILL VOIDS WITHIN LAYER 1.
 - PLACE 'TYPE A' LOGS, ADJUSTING ORIENTATION AS DIRECTED BY CITY'S REPRESENTATIVE TO ACCOMMODATE SITE CONDITIONS.
 - INSTALL ALL LAYER 2 LOG-LOG CONNECTIONS TO TIGHTLY ANCHOR LOGS.
 - FASTEN LAYER 2 MANILA ROPE, INTERWEAVING BETWEEN LOGS AS SHOWN.
 - STRUCTURE LENGTH 15'. SEE SCHEDULE OF STRUCTURES FOR STRUCTURAL LOCATIONS.
 - DOUGLAS FIR 2"x2"x36" STAKE EMBEDDED IN 18" (MIN) IN CHANNEL BED. STAKES PLACED AT NOMINAL 4 FOOT IN IRREGULAR LAYOUT AS DIRECTED BY CITY'S REPRESENTATIVE.
 - MANILA ROPE 5/8" Ø. WIND TIGHT TWO TIMES AROUND EACH STAKE. TIE OFF WITH DOUBLE HALF-KNOT ON A STAKE APPROXIMATELY EVERY 20' OF ROPE. ENSURE ROPE IS SNUG TO CEDAR BOUGHS AND SLASH LAYERS. WEAVE BACK AND FORTH BETWEEN STAKES TO CREATE IRREGULAR GRID.
 - COIR LOG SHALL BE INSTALLED OVERLAPPING SLASH AND EXISTING BANK SLOPE SOIL SO THAT AT LEAST 50% OF LOG IS IN CONTACT WITH EXISTING SOIL. INSTALL LIVE DOGWOOD AND WILLOW STAKES INTO COIR LOG. SEE DETAILS SHEET L102.



NOTES
1. TYPE 'B' LOGS NOT SHOWN FOR CLARITY.

A ELJ - TYPE 1
D601 SCALE: 1"=5'

CITY OF MERCER ISLAND
 MERCER ISLAND PUBLIC WORKS
 9601 SE 36TH STREET
 MERCER ISLAND, WA 98040
 206-275-7608
 WWW.MERCERISLAND.GOV/PUBLICWORKS

nhc
 12787 Gateway Drive South Tukwila, Washington 98168
 Phone: (206) 241-6000 www.nhcweb.com

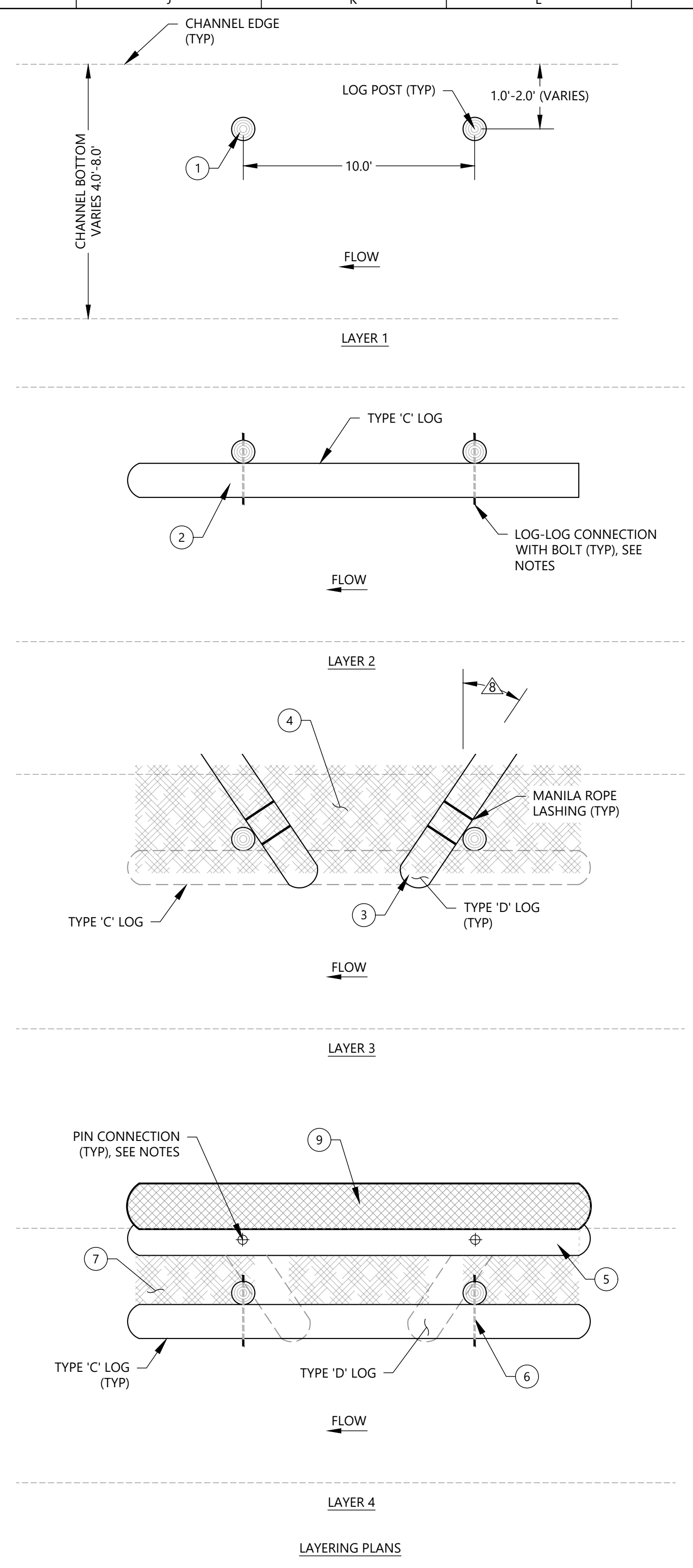
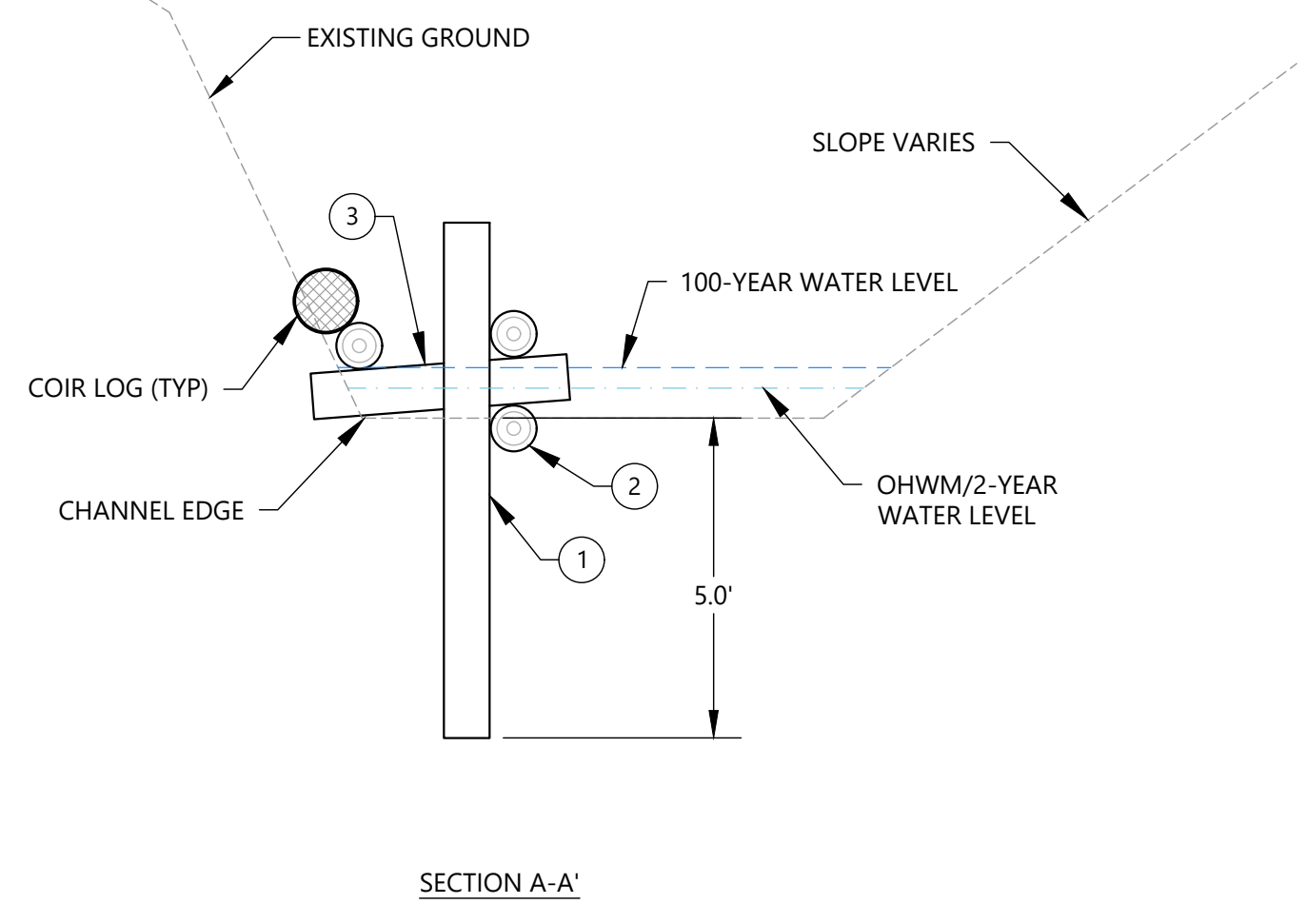
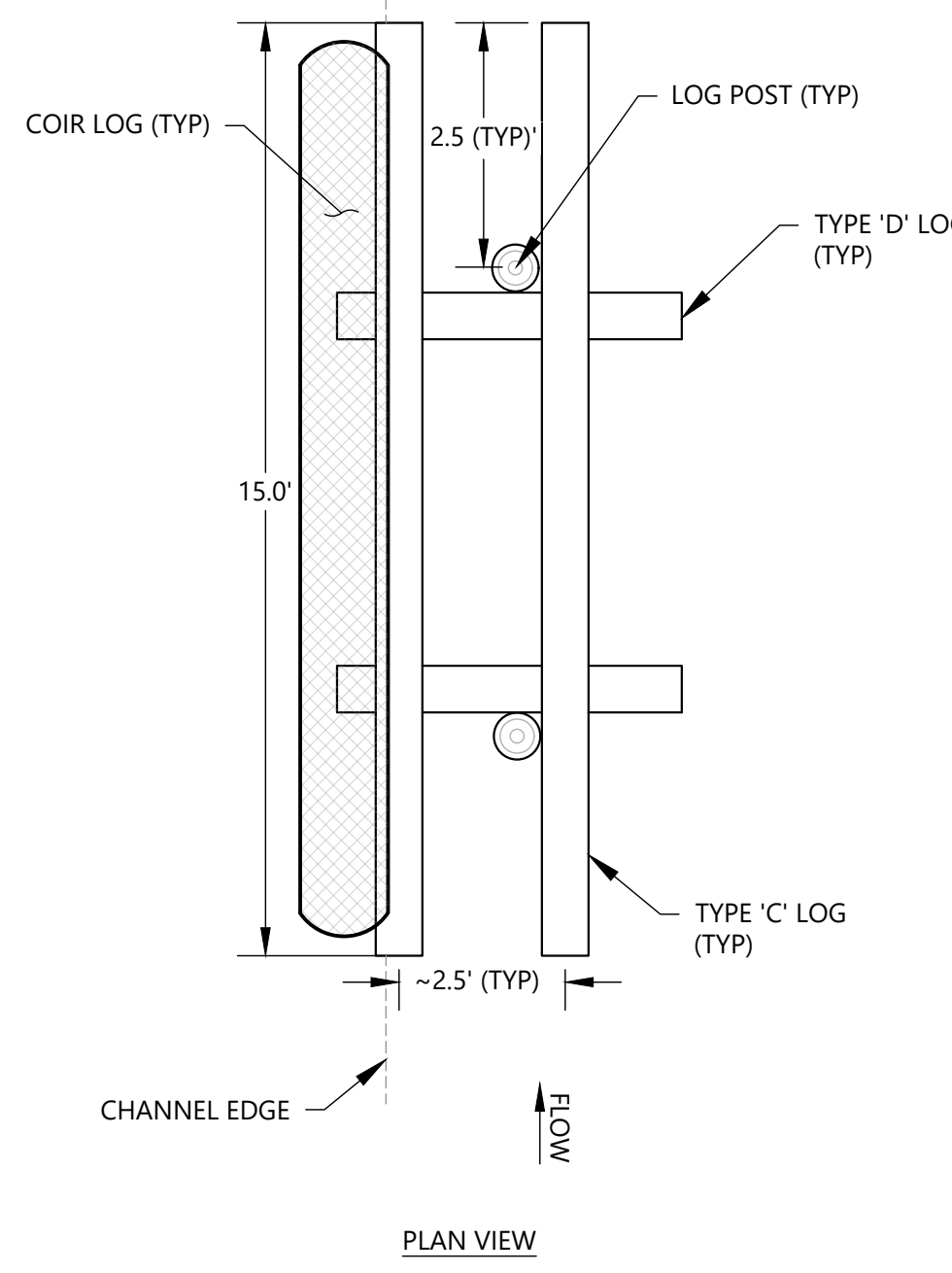
**PRELIMINARY
NOT FOR
CONSTRUCTION**

REVISIONS			DRAWING INFORMATION	
##	DATE	DESCRIPTION	DATE	
			10:57:40 20250827	
			STATUS	90% SUBMITTAL
			DESIGNER/DRAFTER	DGH / TS
			CHECKED	VDC
			COORDINATE	----
			FILE NAME	SUBBASIN 46a3 - DETAILS_R0b
			PLOTTED SCALE	0 1/2 1

**SUBBASIN 46.3 WATERCOURSE
STABILIZATION PROJECT**
DETAILS - TYPE 1 ELJ

JOB NUMBER
2008561
 SHEET NUMBER
D601
 SHEET 8 OF 13

LAST DATE SAVED: 08/27/2025 10:57
 FILE LOCATION: \\2008561_SUBBASIN_46_3A_WATERCOURSE_STABILIZATION_DESIGN\96_CAD\02_DESIGN\PRODUCTION\0100_CURRENT\100-DESIGN\SUBBASIN_46A3 - DETAILS_R0B.DWG



TYPE 2 ELJ MATERIALS SCHEDULE (PER EACH)			
LOG ID	MATERIAL	QUANTITY	UNITS
	12"x10' LOG POST	2	EA
C	12"x15' LOG	3	EA
D	12"x5' LOG	2	EA
	SLASH	7	CY
	LOG PIN (#5 REBAR 3.5')	2	EA
	LOG PIN (#5 REBAR 2.5')	4	EA
	MANILA ROPE - 5/8"	4	EA
	COIR LOG	15	LF

- NOTES
- POSTS MAY BE EMBEDDED BY AUGERING OR OTHER METHOD APPROVED BY CITY'S REPRESENTATIVE THAT MAINTAINS STABLE SUBSOILS, EXCAVATION AND BACKFILL SHALL NOT BE ALLOWED. ALL POSTS LOCATIONS TO BE STAKED BY CONTRACTOR PRIOR TO INSTALLATION FOR REVIEW AND APPROVAL, BY CITY'S REPRESENTATIVE, LOCATIONS MAY BE ADJUSTED BY CITY'S REPRESENTATIVE TO ACCOMMODATE CONDITIONS AT TIME OF CONSTRUCTION.
 - EMBED TYPE 'C' LOG 6" INTO STREAM CHANNEL AND FASTEN TO POSTS WITH LOG-LOG CONNECTION WITH BOLT (2.5' LENGTH) (SEE DETAILS, SHEET D603).
 - PLACE TYPE 'D' LOG AND VARY ANGLE TO SITE CONDITIONS AND DISTANCE FROM TOE OF SLOPE. LASH TYPE 'D' LOGS TO POST WITH MANILA ROPE 5/8" DIA.
 - PLACE 2' LAYER OF SLASH AFTER TYPE 'D' LOG INSTALLED. TUCK INTO VOIDS UNDER TYPE 'D' LOG.
 - PLACE TYPE 'C' LOG AND MAKE LOG PIN CONNECTION (2.5' LENGTH) TO TYPE 'D' LOG (SEE DETAILS, SHEET D603).
 - PLACE TYPE 'C' LOG AND ADJUST TO REST ON TOP TYPE 'D' LOG. CONNECT WITH LOG-LOG CONNECTION WITH BOLT (2.5' LENGTH).
 - PLACE 12" LAYER OF SLASH BETWEEN HEADER AND REAR LOG.
 - LOGS CAN BE INSTALLED 0-45° FROM HORIZONTAL, AS DIRECTED BY CITY'S REPRESENTATIVE.
 - INSTALL COIR LOG OVERLAPPING SLASH AND EXISTING BANK SLOPE SOIL SO THAT AT LEAST 50% OF LOG IS IN CONTACT WITH EXISTING SOIL. INSTALL LIVE DOGWOOD AND WILLOW STAKES INTO COIR LOG. SEE DETAILS SHEET L102.
 - SLASH FILL ALL VOIDS IN STRUCTURE UP TO TOP OF TOP LOGS. SLASH SHALL BE COMPACTED TO ENSURE NO GAPS GREATER THAN 3 CUBIC INCHES.

NOTES:
 1. SLASH AND CONNECTIONS NOT SHOWN ON PLAN AND SECTION FOR CLARITY.

A TYPE 2 ELJ
 D602 SCALE: 1"=4'

CITY OF MERCER ISLAND
 MERCER ISLAND PUBLIC WORKS
 9601 SE 36TH STREET
 MERCER ISLAND, WA 98040
 206-275-7608
 WWW.MERCERISLAND.GOV/PUBLICWORKS

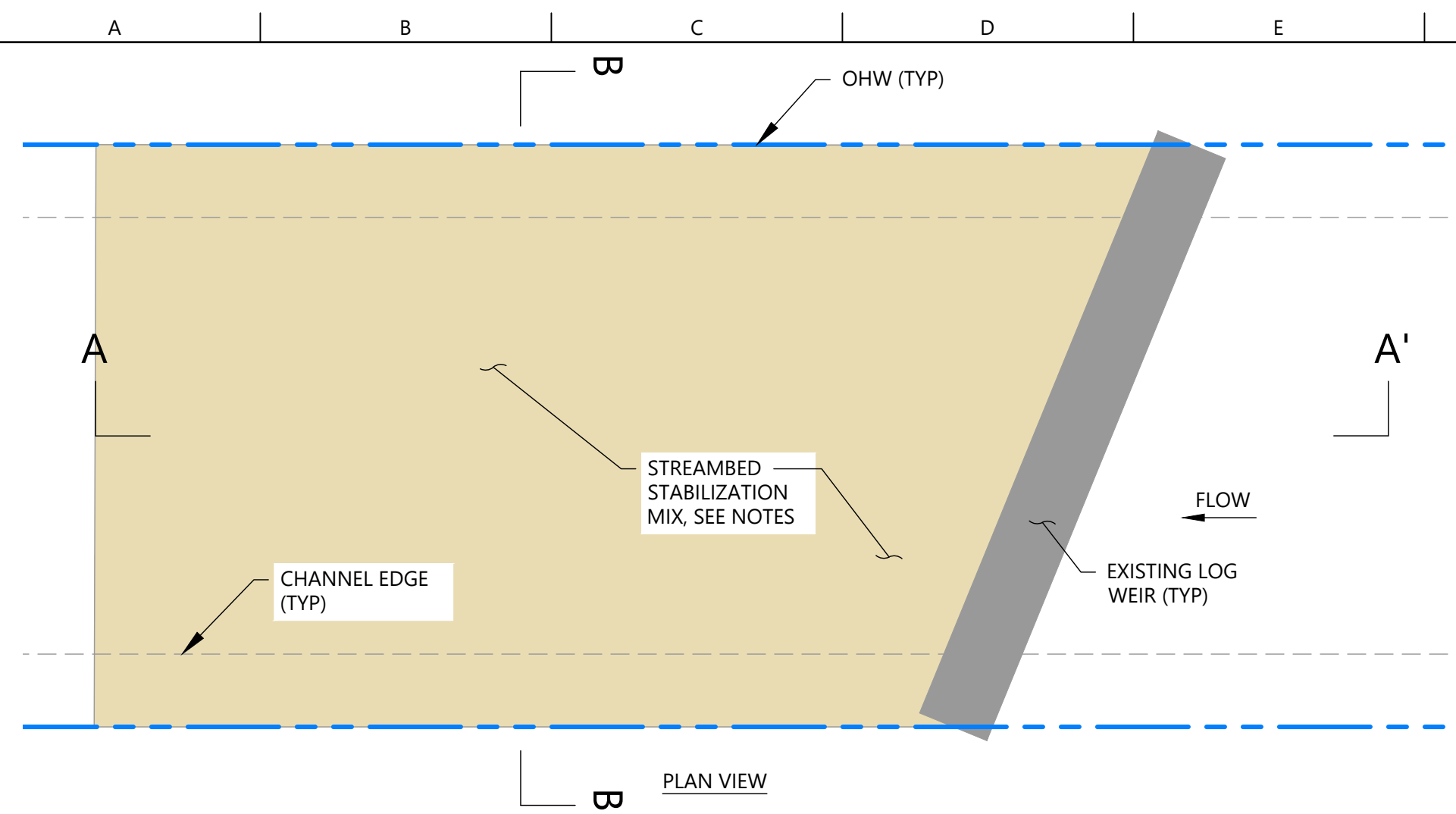
nhc
 12787 Gateway Drive South Tukwila, Washington 98168
 Phone: (206) 241-6000 www.nhcweb.com

**PRELIMINARY
 NOT FOR
 CONSTRUCTION**

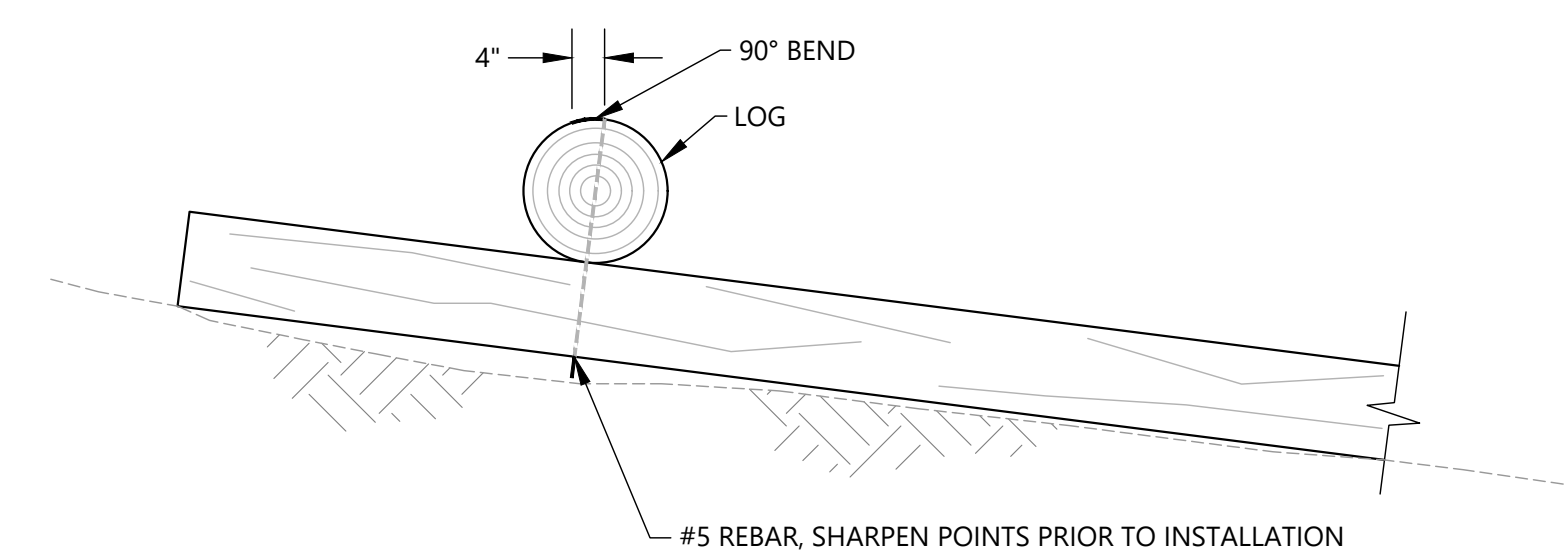
REVISIONS			DRAWING INFORMATION	
##	DATE	DESCRIPTION	DATE	
			10:35:19 20250827	
			STATUS	90% SUBMITTAL
			DESIGNER/DRAFTER	DGH / TS
			CHECKED	VDC
			COORDINATE	----
			FILE NAME	SUBBASIN 46a3 - DETAILS_R0b
			PLOTTED SCALE	0 1/2 1

**SUBBASIN 46.3 WATERCOURSE
 STABILIZATION PROJECT**
DETAILS - TYPE 2 ELJ

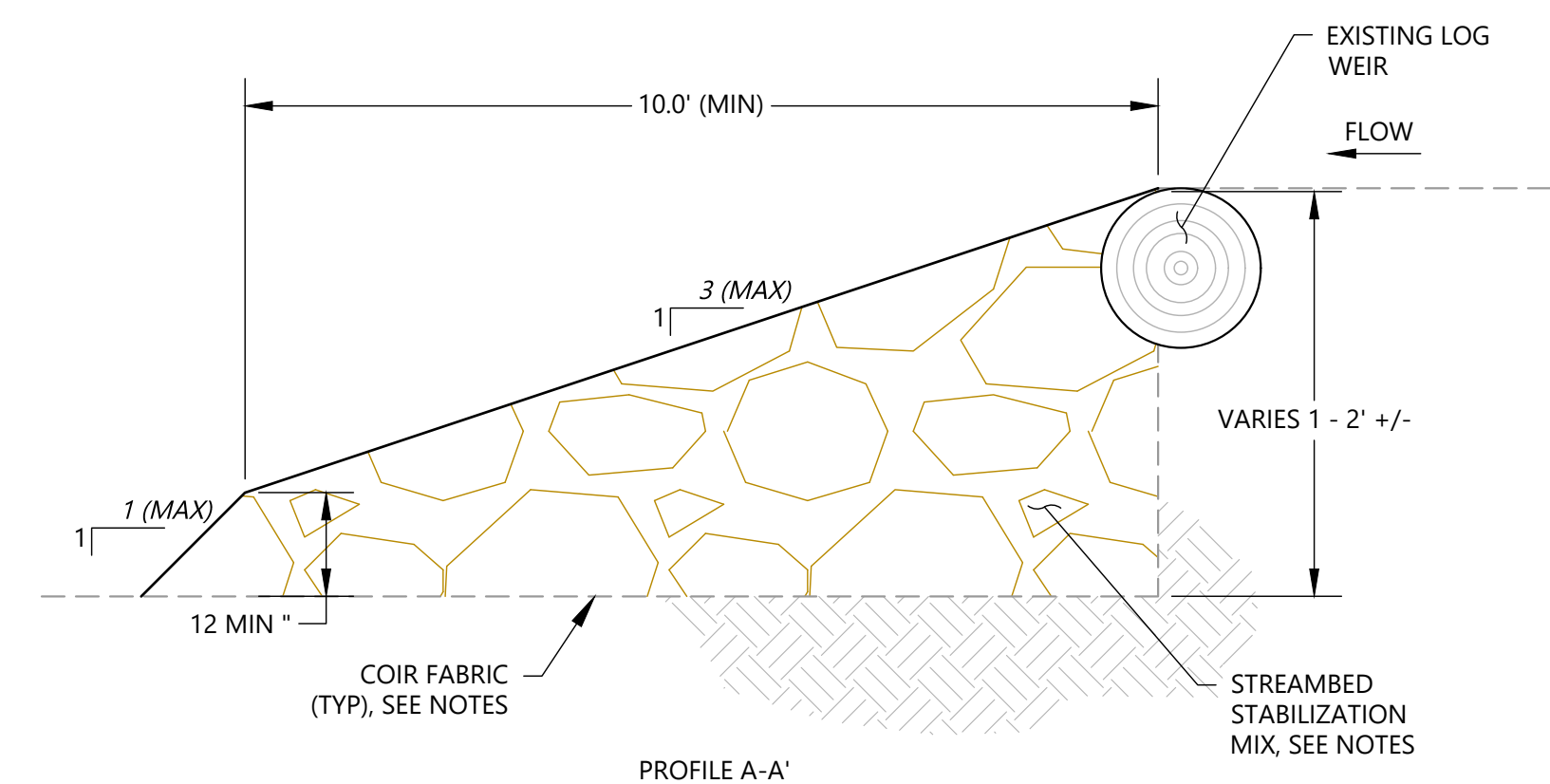
JOB NUMBER
 2008561
 SHEET NUMBER
D602
 SHEET 9 OF 13



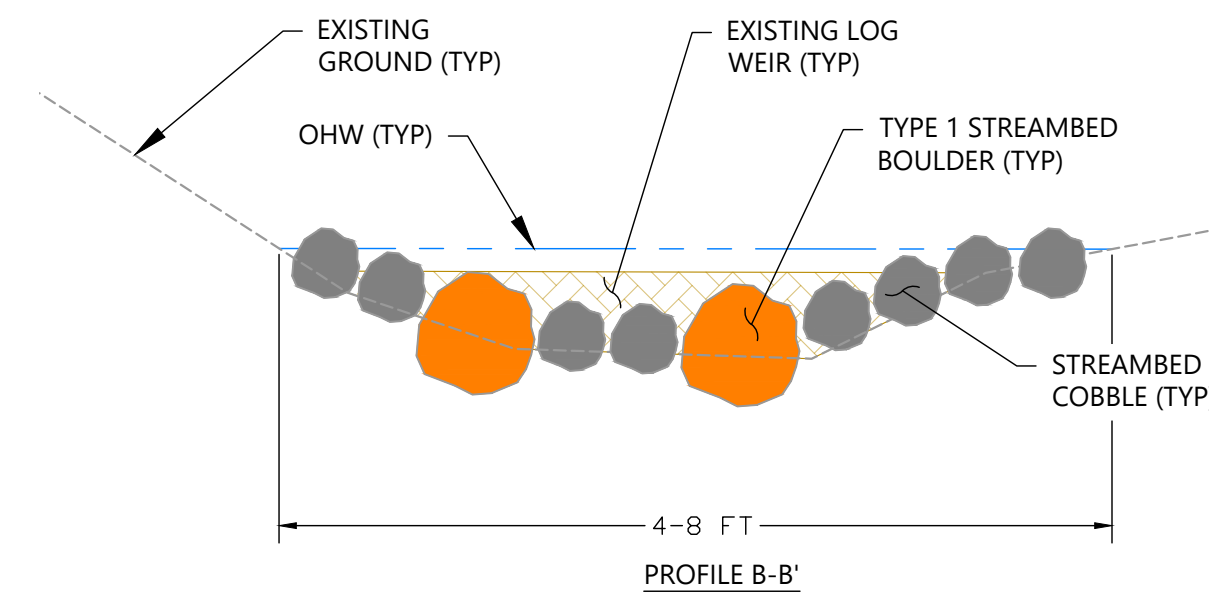
EXAMPLE PHOTO (STA 5+45)



B LOG PIN
D603 SCALE: 1"=2'



PROFILE A-A'



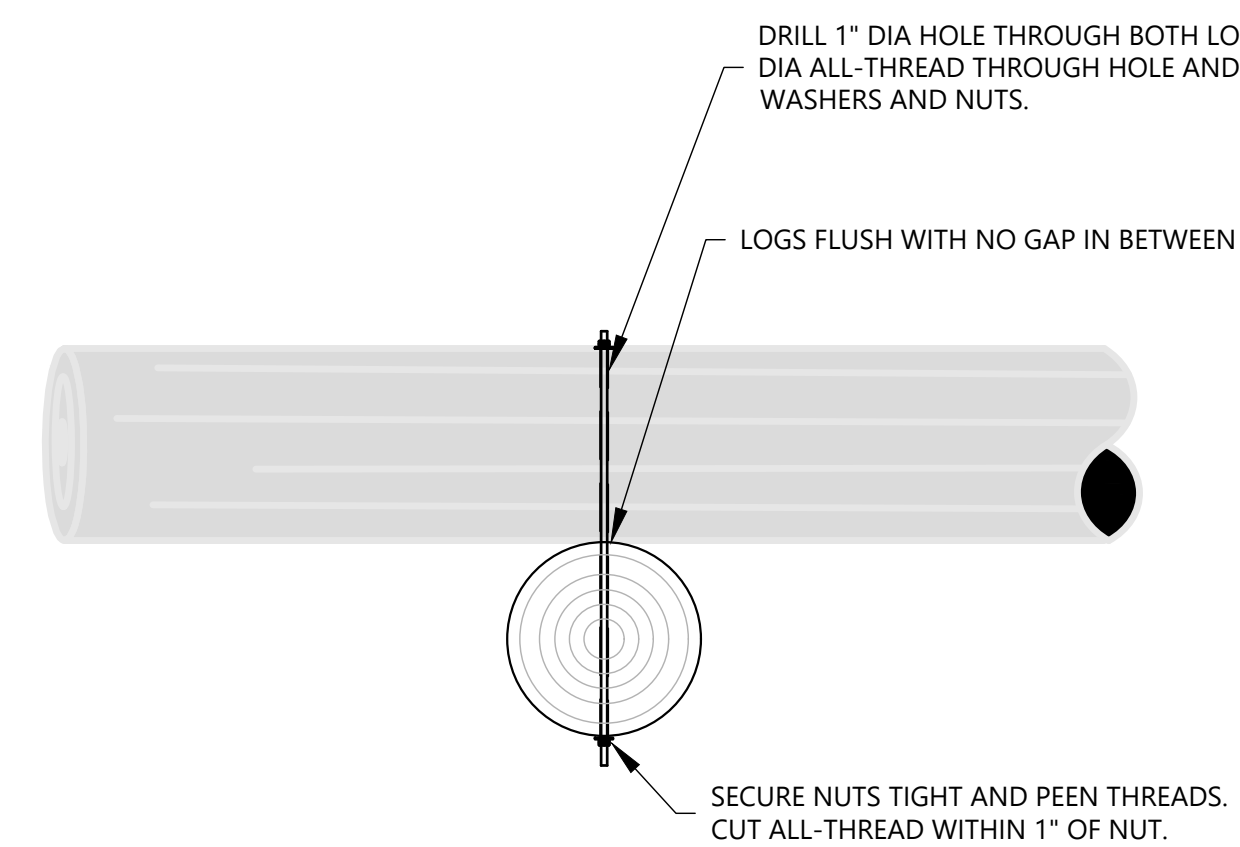
PROFILE B-B'

A LOG WEIR STABILIZATION
D603 SCALE: 1"=2'

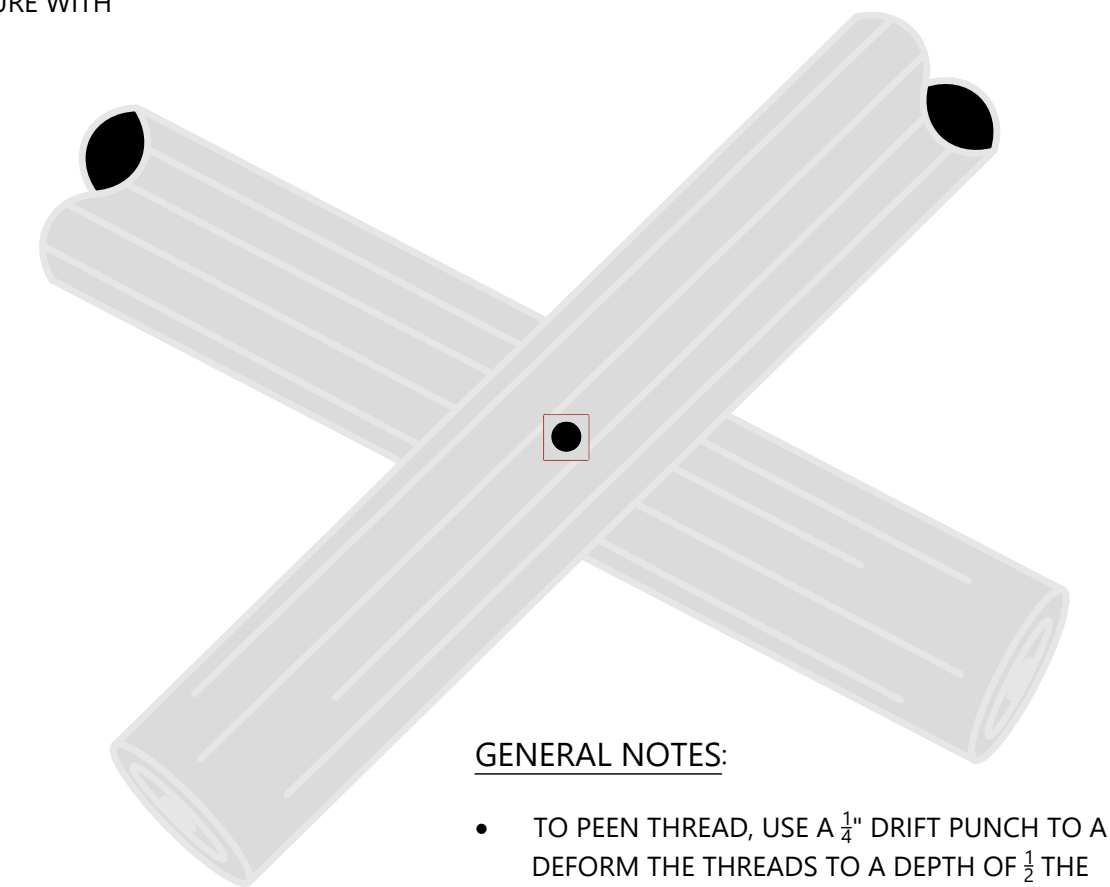
- NOTES:
1. STABILIZE EXISTING LOG WEIR WITH STREAMBED STABILIZATION MIX. EXCAVATE CHANNEL BED AS NEEDED TO EMBED STREAMBED MATERIAL. PLACE TWO LAYERS UPON SUBGRADE PRIOR TO PLACING STREAMBED MATERIAL.
 2. TIE INTO EXISTING GROUND AS SHOWN THIS SHEET. CONSTRUCT 'V' GEOMETRY TO CONCENTRATE FLOWS IN CENTER OF CHANNEL AT LOW FLOW, PER DIRECTION OF CITY'S REPRESENTATIVE.
 3. STREAMBED STABILIZATION MIX PER CONTRACT SPECIFICATIONS.

LOG WEIR STABILIZATION SCHEDULE (PER EACH)


MATERIAL	QUANTITY	UNITS
STREAMBED SEDIMENT	4	TN
STREAMBED COBBLE	3	TN
TYPE 1 STREAMBED BOULDER	6	EA



C LOG-LOG CONNECTION WITH BOLT DETAIL
D603 SCALE: 1"=2'

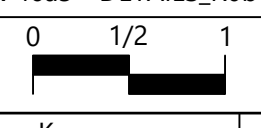


- GENERAL NOTES:
- TO PEEN THREAD, USE A 3/4" DRIFT PUNCH TO A DEFORM THE THREADS TO A DEPTH OF 1/3 THE THREAD DEPTH IN TWO OPPOSING LOCATIONS IMMEDIATELY AGAINST THE NUT.

 CITY OF MERCER ISLAND
MERCER ISLAND PUBLIC WORKS
9601 SE 36TH STREET
MERCER ISLAND, WA 98040
206-275-7608
WWW.MERCERISLAND.GOV/PUBLICWORKS

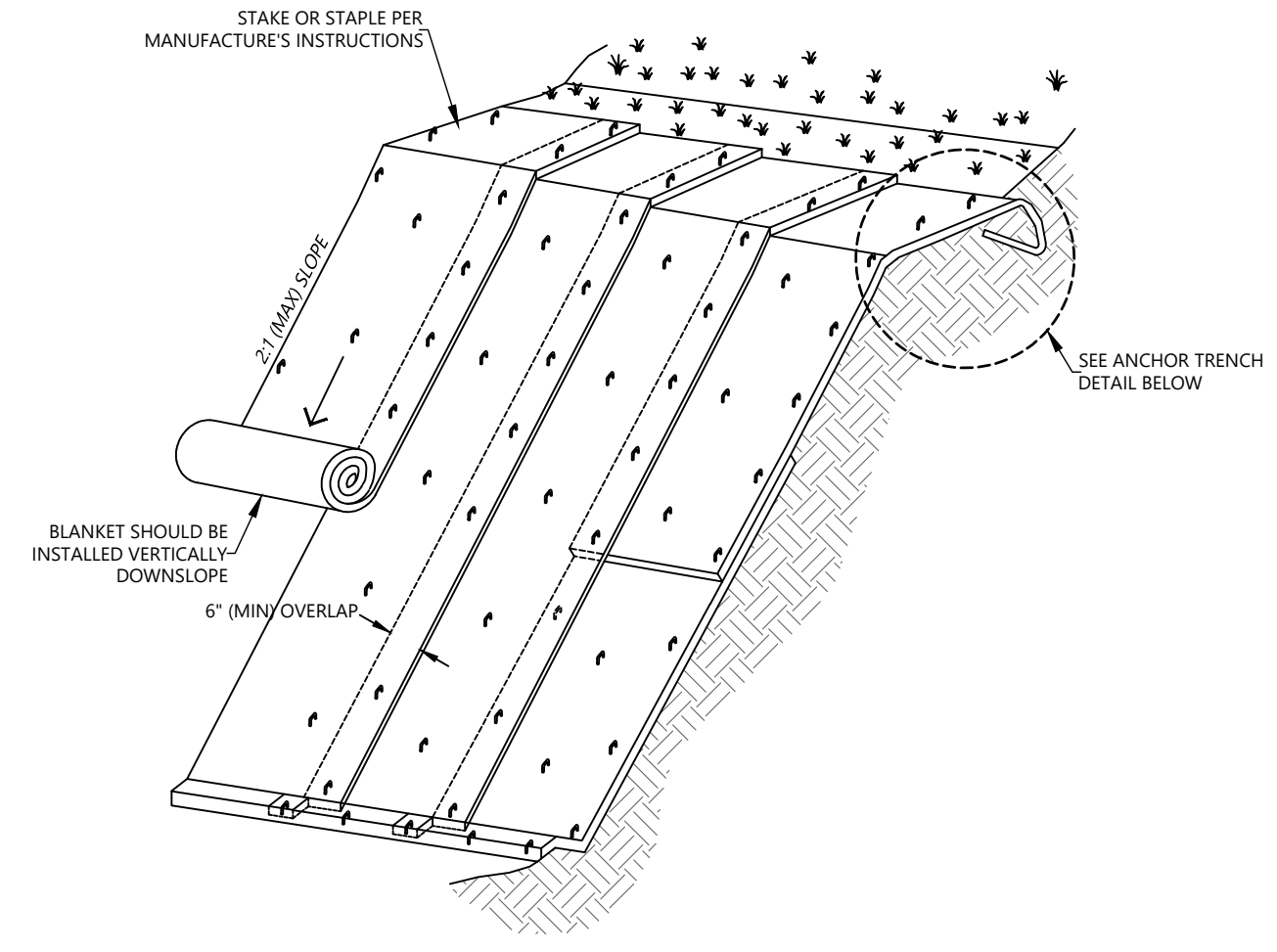

12787 Gateway Drive South Tukwila, Washington 98168
Phone: (206) 241-6000 www.nhcweb.com

PRELIMINARY
NOT FOR
CONSTRUCTION

REVISIONS			DRAWING INFORMATION	
##	DATE	DESCRIPTION	DATE	
			12:20:35 20250816	
			STATUS	90% SUBMITTAL
			DESIGNER/DRAFTER	DGH / TS
			CHECKED	VDC
			COORDINATE	----
			FILE NAME	SUBBASIN 46a3 - DETAILS_R0b
			PLOTTED SCALE	

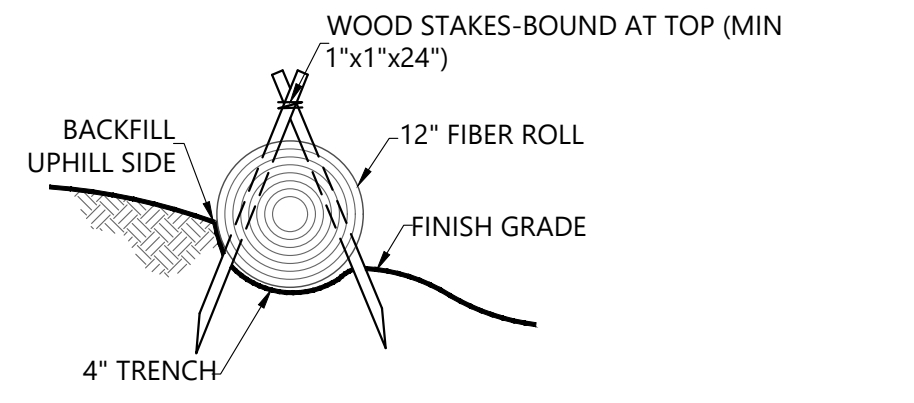
SUBBASIN 46.3 WATERCOURSE
STABILIZATION PROJECT
MISC WATERCOURSE STABILIZATION DETAILS

JOB NUMBER
2008561
SHEET NUMBER
D603
SHEET 10 OF 13



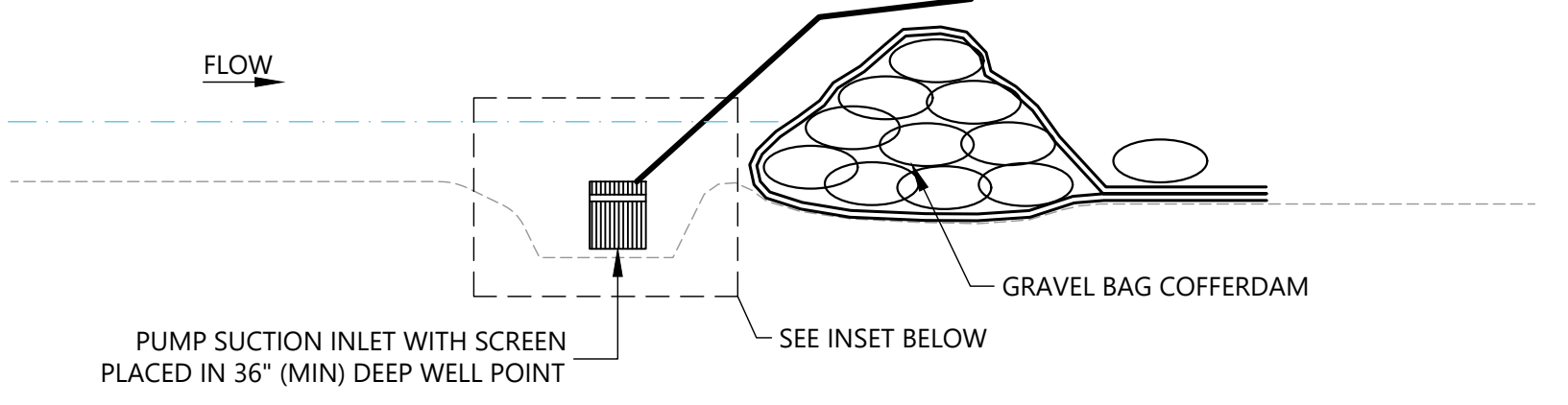
- NOTES:**
- SLOPE SURFACE SHALL BE FREE OF ROCKS, VEGETATION, STICKS, AND DEBRIS. MATS/ BLANKETS SHALL HAVE GOOD SOIL CONTACT. SCARIFY AND/OR TILL SLOPE SURFACE 12" DEEP BEFORE LAYING BLANKET.
 - LAY BLANKETS LOOSELY AND STAKE OR STAPLE AS NEEDED TO MAINTAIN DIRECT CONTACT WITH THE SOIL. DO NOT STRETCH OR TWIST.
 - EROSION CONTROL BLANKETS SHOULD BE USED IN CONJUNCTION WITH REVEGETATION (SEEDING OR PLUG PLANTING) TO SPECIFICATIONS OF REVEGETATION PLAN FOR PROJECT.
 - HAND WALK BLANKET DOWN SLOPE AS BLANKET IS STAKED OR STAPLED TO PREVENT STRETCHING.
 - DO NOT WALK ON BLANKET ONCE IN PLACE.
 - ALL ANCHORS SHALL BE INSTALLED PERPENDICULAR TO SLOPE.
 - DRAWING ADAPTED FROM: CALIFORNIA STORMWATER QUALITY ASSOCIATION, 2003, STORMWATER BEST MANAGEMENT PRACTICE HANDBOOK EC-7 GEOTEXTILES AND MATS.

A EROSION CONTROL BLANKET
D604 SCALE: NOT TO SCALE



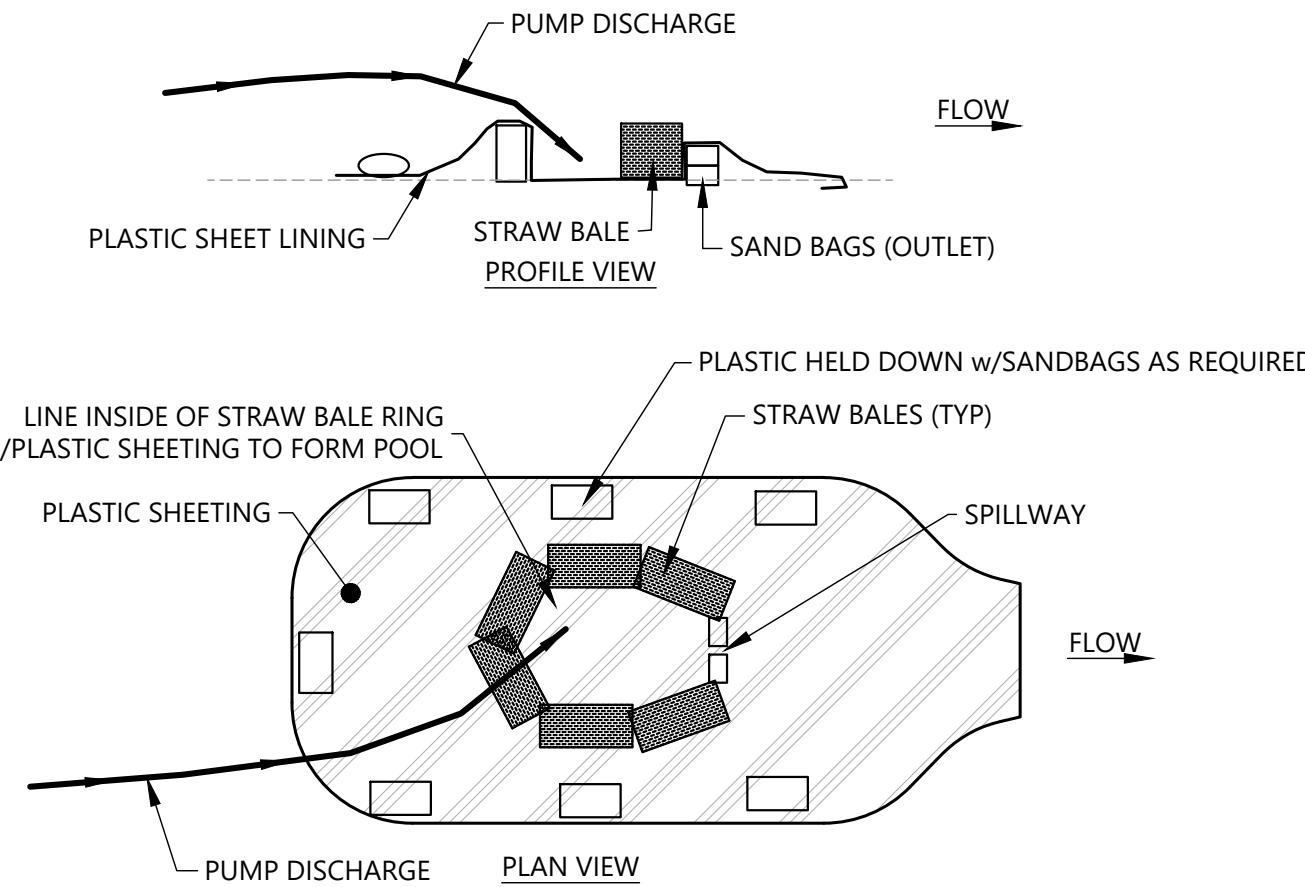
- NOTES:**
- FIBER ROLL SHALL BE MADE FROM 100% MATTRESS GRADE COCONUT FIBER AND BOUND BY HIGH STRENGTH COIR NETTING, AND HAVE A MINIMUM WEIGHT OF 5 LBS PER LINEAL FOOT.
 - FIBER ROLLS ON SLOPES SHALL BE INSTALLED ON CONTOUR. SPACING BETWEEN FIBER ROLLS SHALL BE A MAXIMUM OF 10' FOR SLOPES GREATER THAN 2:1 AND 20' FOR SLOPES LESS THAN 2:1.
 - ABUTTING ENDS OF INDIVIDUAL FIBER ROLLS SHALL BE OVERLAPPED A MINIMUM OF 18\"/>

B COIR FABRIC LOGS
D604 SCALE: NOT TO SCALE

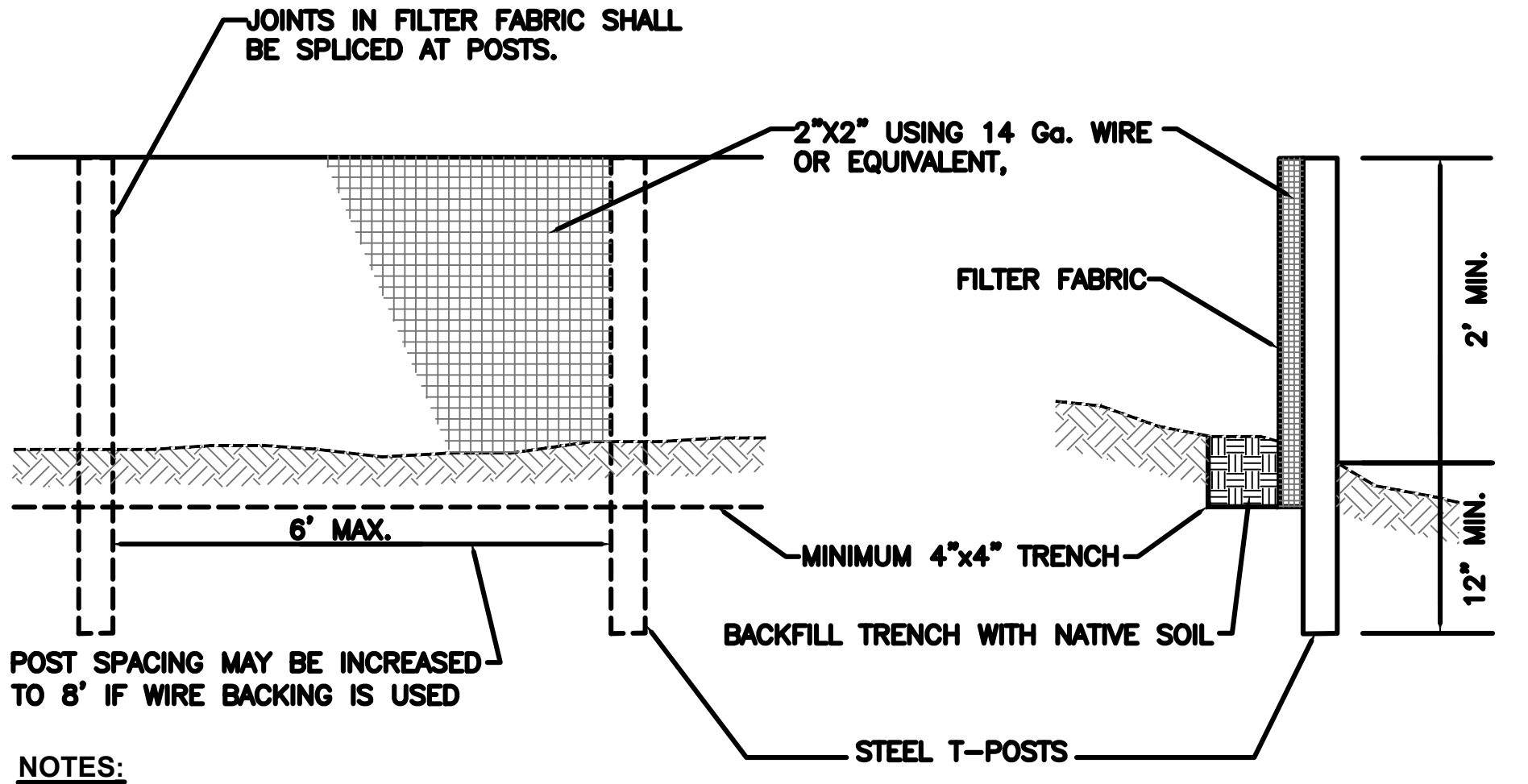


- NOTES:**
- CORRUGATED PLASTIC OR METAL PIPE 36" Ø (MIN), ONE PER EACH PUMP.
 - 3/4" SLOTS, 24" LONG AT 4" SPACING ALL THE WAY AROUND PIPE. STREAMBED SEDIMENT.
 - WIRE SCREEN 1/2" MESH COVERING PIPE BOTTOM, ANCHORED TO PIPE. LIMIT OF EXCAVATION, INSTALL PIPE AND BACKFILL WITH STREAMBED MATERIAL.
 - PUMP SECTION INLET OR ELECTRIC SUBMERSIBLE PUMP WITH 1" SCREEN INSTALLED AT INLET OR PUMP SUCTION FACE, OR OTHER SIZE RECOMMENDED BY PUMP SUPPLIER.

C DEWATERING SUMP
D604 SCALE: NOT TO SCALE

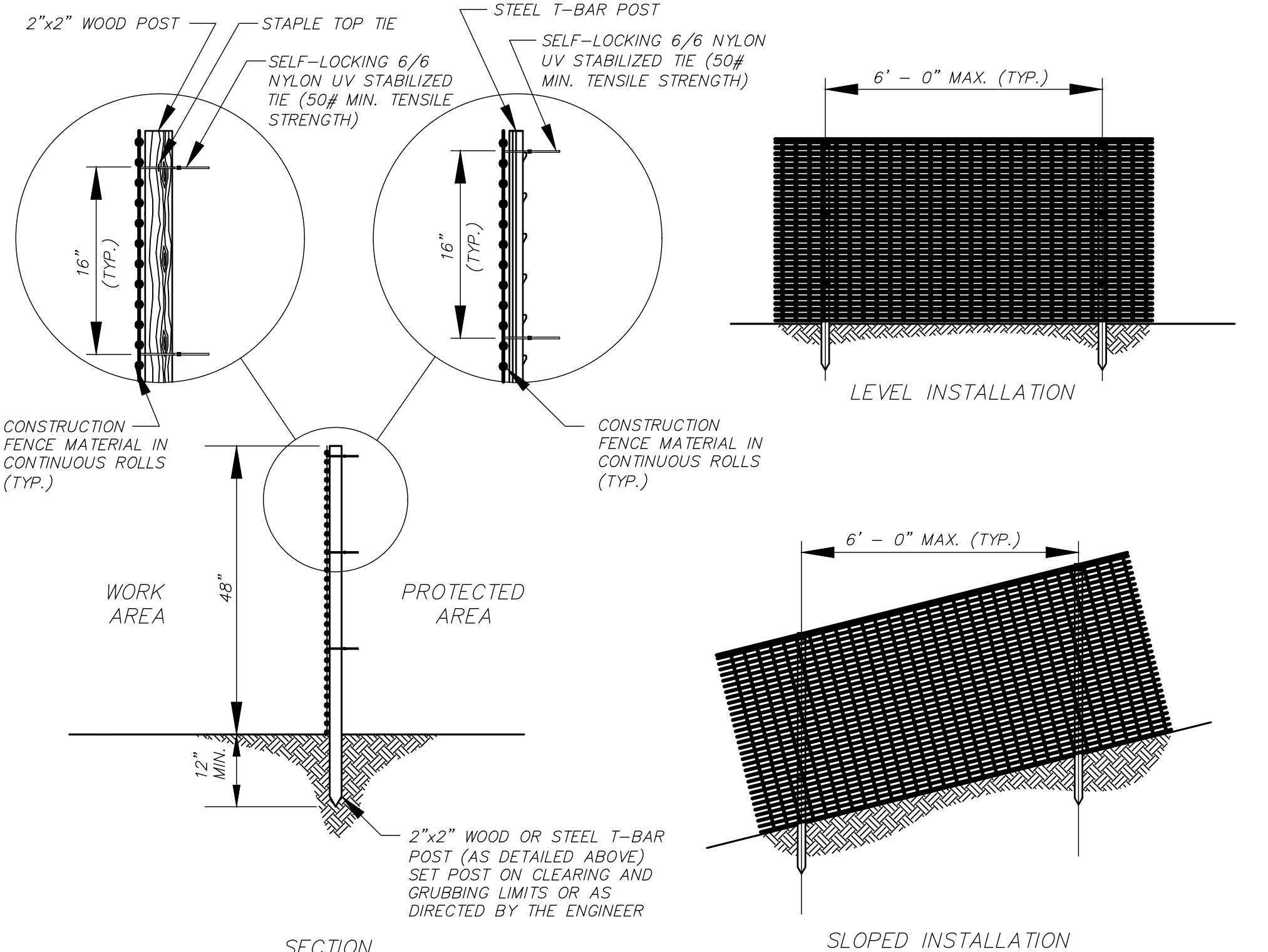


D ENERGY DISSIPATOR
D604 SCALE: NOT TO SCALE



- NOTES:**
- INSTALL SILT FENCE ALONG CONTOUR.

E SILT FENCE
D604 SCALE: NOT TO SCALE



F CONSTRUCTION FENCE
D604 SCALE: NOT TO SCALE

CITY OF MERCER ISLAND
MERCER ISLAND PUBLIC WORKS
9601 SE 36TH STREET
MERCER ISLAND, WA 98040
206-275-7608
WWW.MERCERISLAND.GOV/PUBLICWORKS

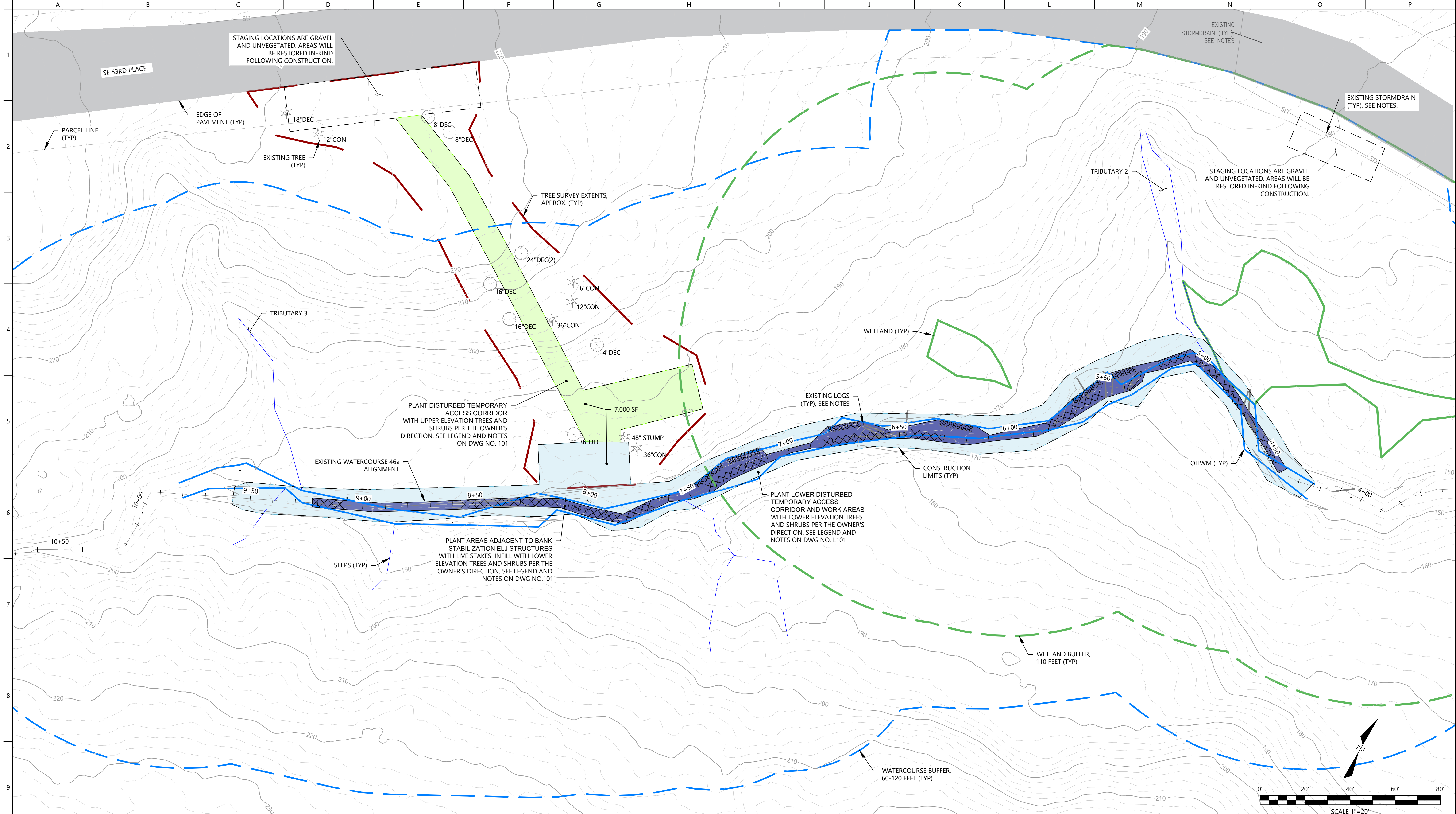
nhc
12787 Gateway Drive South Tukwila, Washington 98168
Phone: (206) 241-6000 www.nhcweb.com

**PRELIMINARY
NOT FOR
CONSTRUCTION**

REVISIONS			DRAWING INFORMATION	
##	DATE	DESCRIPTION	DATE	
			12:20:35 20250816	
			STATUS	90% SUBMITTAL
			DESIGNER/DRAFTER	DGH / TS
			CHECKED	VDC
			COORDINATE	----
			FILE NAME	SUBBASIN 46a3 - DETAILS_R0b
			PLOTTED SCALE	0 1/2 1

**SUBBASIN 46.3 WATERCOURSE
STABILIZATION PROJECT**
TESC DETAILS

JOB NUMBER
2008561
SHEET NUMBER
D604
SHEET 11 OF 13



STAGING LOCATIONS ARE GRAVEL AND UNVEGETATED. AREAS WILL BE RESTORED IN-KIND FOLLOWING CONSTRUCTION.

STAGING LOCATIONS ARE GRAVEL AND UNVEGETATED. AREAS WILL BE RESTORED IN-KIND FOLLOWING CONSTRUCTION.

PLANT DISTURBED TEMPORARY ACCESS CORRIDOR WITH UPPER ELEVATION TREES AND SHRUBS PER THE OWNER'S DIRECTION. SEE LEGEND AND NOTES ON DWG NO. 101

PLANT AREAS ADJACENT TO BANK STABILIZATION E/L STRUCTURES WITH LIVE STAKES. INFILL WITH LOWER ELEVATION TREES AND SHRUBS PER THE OWNER'S DIRECTION. SEE LEGEND AND NOTES ON DWG NO.101

PLANT LOWER DISTURBED TEMPORARY ACCESS CORRIDOR AND WORK AREAS WITH LOWER ELEVATION TREES AND SHRUBS PER THE OWNER'S DIRECTION. SEE LEGEND AND NOTES ON DWG NO. L101

CITY OF MERCER ISLAND
 MERCER ISLAND PUBLIC WORKS
 9601 SE 36TH STREET
 MERCER ISLAND, WA 98040
 206-275-7608
 WWW.MERCERISLAND.GOV/PUBLICWORKS



**PRELIMINARY
 NOT FOR
 CONSTRUCTION**

REVISIONS			DRAWING INFORMATION	
##	DATE	DESCRIPTION	DATE	
			11:50:12 20251030	
			STATUS	90% SUBMITTAL
			DESIGNER/DRAFTER	ALT
			CHECKED	ALP
			COORDINATE	WA83-NF
			FILE NAME	wcsd-d-mit
			PLOTTED SCALE	0 1/2 1

**SUBBASIN 46.3 WATERCOURSE
 STABILIZATION PROJECT**

PLANTING PLAN

JOB NUMBER
 2008561
(RH2 JOB NO. 24-0025)
 SHEET NUMBER
L100
 SHEET 12 OF 14

LAST SAVED BY: gtereshy LAST DATE SAVED: 10/30/2025 11:50
 FILE LOCATION: \\CORP-RH2.COM\PROJECTS\PROJECTS\DATA\NHC\24-0025\CAD\WCSD-D-MIT.DWG

PLANTING AND TREE REPLACEMENT LEGEND

ESTIMATED AREA	COMMON NAME	SCIENTIFIC NAME	QTY	SIZE	SPACING DIAMETER	PLANT INDICATOR	HEIGHT AT MATURITY	PLANTING NOTES
TEMPORARY CONSTRUCTION CORRIDOR REVEGETATION								
7,000 SF	TREES							
	GRAND FIR	<i>ABIES GRANDIS</i>	10	2 GALLON	12 FT O.C.	FACU	260 FT	PLANT INDIVIDUAL TREES IN THE AREAS DISTURBED BY CONSTRUCTION AND PER THE DIRECTION OF THE OWNER. GENERALLY, PLANT CEDAR, SPRUCE, AND PINE IN LOWER ELEVATIONS NEAR THE WATERCOURSE. PLANT FIRS, HEMLOCK, AND MAPLE IN UPPER ELEVATIONS OF THE OPEN SPACE AREA. ²
	DOUGLAS FIR	<i>PSEUDOTSUGA MENZIESII</i>	10			FACU	220 FT	
	WESTERN HEMLOCK	<i>TSUGA HETEROPHYLLA</i>	10			FACU	200 FT	
	BIG-LEAF MAPLE	<i>ACER MACROPHYLLUM</i>	10			FACU	100 FT	
	WESTERN RED CEDAR	<i>THUJA PLICATA</i>	10			FAC	180 FT	
	SITKA SPRUCE	<i>PICEA SITCHENSIS</i>	10			FAC	100 FT	
	SHORE PINE	<i>PINUS CONTORTA</i>	10			FAC	45 FT	
	SHRUBS/HERBACEOUS							
	BEAKED HAZELNUT	<i>CORYLUS CORNUTA</i>	20	1 GALLON	6 FT O.C.	FACU	20 FT	PLANT IN SINGLE SPECIES CLUSTERS OF 3 TO 6, INTERSPERSED AROUND TREES AND OTHER SHRUBS, IN THE AREAS DISTURBED BY CONSTRUCTION AND PER THE DIRECTION OF THE OWNER. PLANT CASCARA, HAWTHORN, MAPLE, SALMONBERRY AND LADY FERN IN LOWER ELEVATIONS NEAR THE WATERCOURSE. PLANT HAZELNUT, OSOBERY, OREGON GRAPE AND SWORD FERN IN UPPER ELEVATIONS OF THE OPEN SPACE AREA.
	OSOBERY	<i>OEMLERIA CERASIFORMIS</i>	20			FACU	16 FT	
	TALL OREGON GRAPE	<i>MAHONIA AQUIFOLIUM</i>	20			FACU	6 FT	
	SWORD FERN	<i>POLYSTICHUM MUNITUM</i>	20			FACU	5 FT	
	CASCARA	<i>FRANGULA PURSHIANA</i>	20			FAC	30 FT	
VINE MAPLE	<i>ACER CIRCINATUM</i>	20	FAC			25 FT		
BLACK HAWTHORN	<i>CRATAEGUS DOUGLASII</i>	20	FAC			20 FT		
SALMONBERRY	<i>RUBUS SPECTABILIS</i>	20	FAC			10 FT		
LADY FERN	<i>ATHYRIUM FILIX-FEMINA</i>	20	FAC			5 FT		
STREAM CORRIDOR REVEGETATION								
1,050 LF	LIVE STAKES							
	PACIFIC WILLOW	<i>SALIX LUCIDA-LASIANDRA</i>	50	LIVE STAKE	3 FT O.C.	FACW	45 FT	STAKE INTO COIR LOGS PLACED ADJACENT TO EL'S. ALTERNATE PLACEMENT OF STAKE SPECIES TO ENSURE WILLOW AND DOGWOOD ARE PLANTED THE ENTIRE LENGTH OF THE STREAM CORRIDOR.
	SITKA WILLOW	<i>SALIX SITCHENSIS</i>	50			FACW	24 FT	
	RED OSIER DOGWOOD	<i>CORNUS ALBA</i>	50			FACW	18 FT	

¹ ESTIMATED AREA REFLECTS APPROXIMATE AREA OF TEMPORARY CONSTRUCTION CORRIDOR DISTURBANCE. THE OWNER WILL PROVIDE DIRECTION FOR ACTUAL PLACEMENT OF PLANTINGS TO RESTORE THE TEMPORARY CONSTRUCTION CORRIDOR AND REVEGETATE THE OPEN SPACE AREA.
² DOUGLAS FIR PREFER SUNNIER LOCATIONS, WHILE WESTERN HEMLOCK AND CEDAR CAN TOLERATE SHADE.
³ RESEED DISTURBED AREAS WITH NATIVE SEED MIX PER THE CITY'S DIRECTION.

PLANTING & TREE REPLACEMENT NOTES

GENERAL PLANTING NOTES:

THE CONTRACTOR SHALL COORDINATE PLANTING ACTIVITIES AND ULTIMATE LOCATIONS/AREAS WITH THE OWNER, INCLUDING SCHEDULING AND ATTENDING A PRE-PLANTING MEETING, SUCCESSFUL PLANT INSTALLATION, CITY ACCEPTANCE POST-PLANTING, AND CARE OF THE LANDSCAPED AREAS FOR A ONE-YEAR PLANT ESTABLISHMENT PERIOD. FOLLOWING THE PLANT ESTABLISHMENT PERIOD, THE CITY OR ITS ASSIGNS WILL ASSUME CARE OF THE SITE.

PLANT IN THE WET SEASON, AFTER OCTOBER 15. PLANTING DURING THE WET SEASON WILL MINIMIZE TRANSPLANT SHOCK AND SUPPLEMENTAL CARE FOR NEW PLANTINGS.

THE CONTRACTOR SHALL HANDLE AND CARE FOR PLANT STOCK STORED ON-SITE FOR LONGER THAN ONE WEEK. THIS INCLUDES, BUT IS NOT LIMITED TO, WATER PLANTINGS, WRAP / WET LIVE STAKES, AND PROTECT PLANTS FROM DAMAGE BY ELEMENTS, VANDALISM, ETC.

THE CONTRACTOR SHALL WARRANT ALL PLANT MATERIALS TO REMAIN HEALTHY AND ALIVE FOR A PERIOD OF ONE YEAR FOLLOWING SUCCESSFUL INSTALLATION ACCEPTANCE. DURING THIS PERIOD, THE CONTRACTOR SHALL GENERALLY CARE FOR PLANTINGS, MAINTAIN THE LANDSCAPED AREAS, AND ENSURE PLANTINGS RECEIVE ADEQUATE IRRIGATION. THE CITY WILL PROVIDE MAINTENANCE NEEDS FOR PLANTINGS PER IT'S OPEN SPACE MAINTENANCE PROGRAM.

THE CITY (I.E., OWNER) WILL PROVIDE ONSITE DIRECTION AT THE TIME OF PLANTING TO SHOW LOCATIONS FOR NEW PLANTS. PLANT PROCUREMENT, HANDLING AND STORAGE, AND INSTALLATION SHALL BE SUBJECT TO CITY REVIEW, DIRECTION, AND APPROVAL.

SEQUENCING:

GENERAL LANDSCAPING SEQUENCING IS DETAILED BELOW; HOWEVER, THE CONTRACTOR SHALL DETERMINE EXECUTABLE MEANS AND METHODS.

- THE CONTRACTOR SHALL SECURE ALL PLANT MATERIAL, SOILS, AND MULCH PRIOR TO BEGINNING WORK. SUBMIT NURSERY AVAILABILITY, TOPSOIL, AND MULCH SPECIFICATION SHEETS TO THE CITY FOR PRIOR APPROVAL. ALLOW FOR 5 DAYS FOR CITY REVIEW AND APPROVAL.
- NOTIFY THE CITY 72 HOURS IN ADVANCE OF ANTICIPATED PLANTING ACTIVITIES. MEET WITH CITY STAFF AND ITS ASSIGNS PRIOR TO THE START OF LANDSCAPING. ENSURE ALL PARTIES UNDERSTAND PREFERENCES FOR PLANTING, SOIL AMENDMENT, ETC.
- PREPARE AREAS TO BE PLANTED PER PLANS AND PLANTING PLAN / DIRECTION PROVIDED BY THE CITY. CLEARING AND GRUBBING SHALL ONLY OCCUR IN AREAS TO BE PLANTED. RETAIN AND PROTECT EXISTING TREE AND SHRUB VEGETATION FROM TRAMPLING, ROOT DAMAGE, ETC. PLANTING SHALL BE COMPLETED BY HAND, UTILIZING HAND- AND LIGHT-DUTY EQUIPMENT.
- HAND-EXCAVATE PLANTING PITS. GRUB ROOTS AND RHIZOMES TO ACCOMMODATE AN AREA OF TWO TIMES PLANTING PITS. NATIVE SOILS FREE OF INVASIVE RHIZOMES/ROOT CROWNS ARE ACCEPTABLE FOR PLANTING PITS. DISPOSE OF INVASIVE ROOTS/RHIZOMES OFF-SITE. INSTALL TREE AND SHRUB PLANT MATERIAL PER THE DETAIL (L102). BACKFILL PLANTING PITS WITH NATIVE SOIL. IMPORTED TOPSOIL MAY BE USED TO SUPPLEMENT BACKFILL SOILS, IF NEEDED. HAND-FORM MULCH WATERING BASINS PER THE DETAILS (L102).
- INSTALL LIVE STAKES PER LEGEND AND DETAILS (L102). ENSURE LIVE STAKES ARE INSTALLED THROUGH COIR LOGS INTO NATIVE SOIL.
- THOROUGHLY WATER-IN ALL INSTALLED PLANT MATERIAL. CONTINUE WATERING AT A RATE SUFFICIENT TO ENSURE PLANTINGS BECOME ESTABLISHED.
- INSTALL WILDLIFE PROTECTION CAGES AROUND ALL TREES AND WOODY SHRUBS PER DETAIL (L102).
- NOTIFY THE CITY UPON COMPLETION OF PLANT INSTALLATION TO ARRANGE FOR INSPECTION AND POST-PLANTING ACCEPTANCE.

IRRIGATION:

THE LANDSCAPE CONTRACTOR SHALL PROVIDE TEMPORARY SEASONAL WATER TO PROPOSED PLANTINGS. WATER SHALL BE SUPPLIED VIA WATER TRUCK AND/OR TEMPORARY HOSES AND CONNECTION TO ONSITE HYDRANT. COORDINATE WITH THE CITY TO ESTABLISH THE PREFERRED METHOD, CONNECTION POINT, AND METERING NEEDS. AT THE TIME OF PLANTING, WITHIN THE 30-DAY PERIOD POST-PLANTING, AND THROUGHOUT THE SUMMER MONTHS (JULY 1 TO SEPTEMBER 30), THE CONTRACTOR SHALL PROVIDE SUPPLEMENTAL IRRIGATION FOR PLANTINGS TO AID IN ESTABLISHMENT AND REDUCTION OF TRANSPLANT SHOCK. SUPPLEMENTAL SEASONAL WATERING IS RECOMMENDED FOR A MINIMUM OF TWO YEARS POST-PLANTING. IT IS ASSUMED THAT THE CITY OR ITS ASSIGNS WILL PROVIDE SUPPLEMENTAL IRRIGATION FOLLOWING THE FIRST YEAR OF LANDSCAPE-CONTRACTOR PROVIDED PLANT ESTABLISHMENT.



CITY OF MERCER ISLAND
 MERCER ISLAND PUBLIC WORKS
 9601 SE 36TH STREET
 MERCER ISLAND, WA 98040
 206-275-7608
 WWW.MERCERISLAND.GOV/PUBLICWORKS



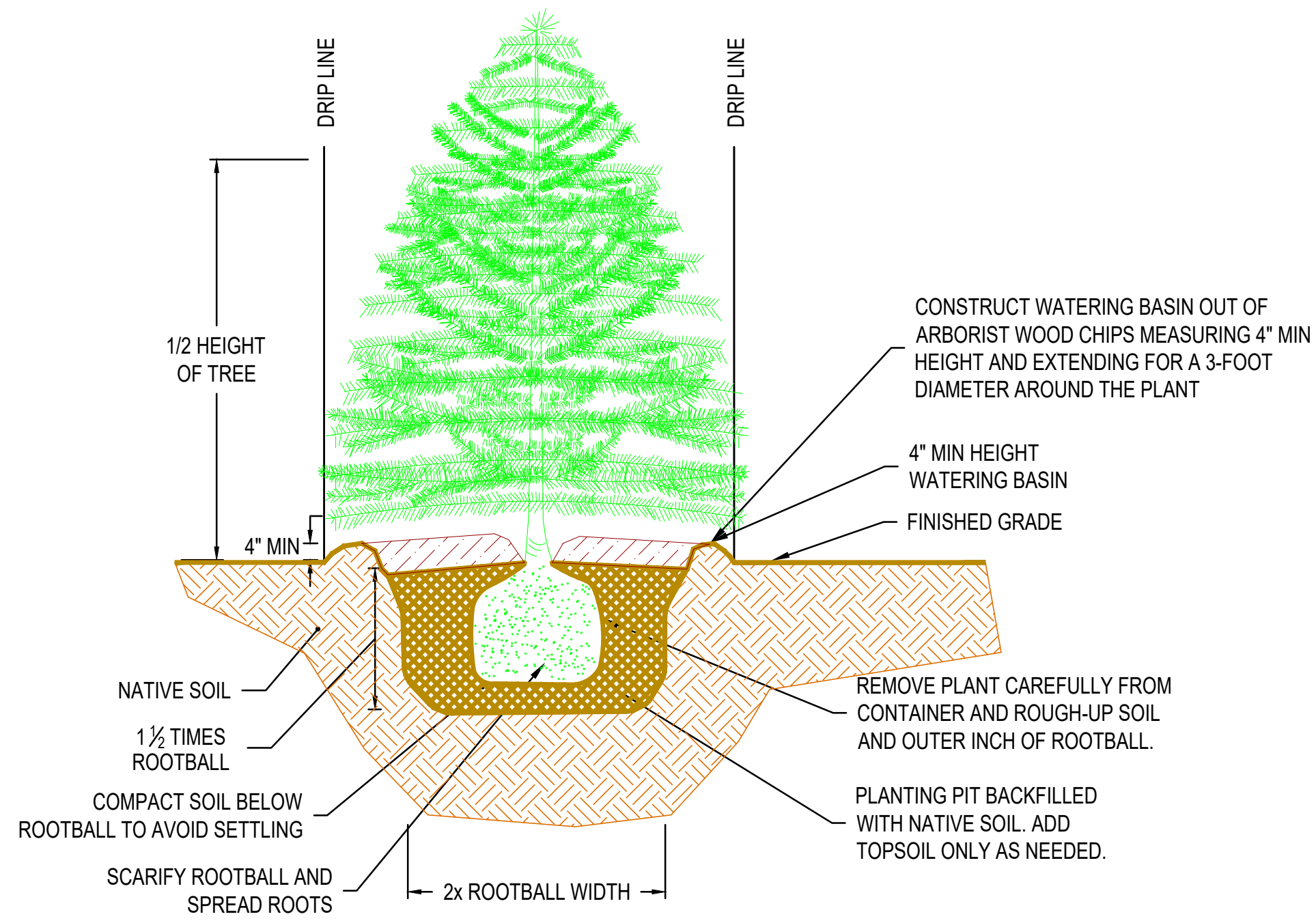
**PRELIMINARY
NOT FOR
CONSTRUCTION**

REVISIONS			DRAWING INFORMATION	
##	DATE	DESCRIPTION	DATE	
			11:50:12 20251030	
			STATUS	90% SUBMITTAL
			DESIGNER/DRAFTER	ALT
			CHECKED	ALP
			COORDINATE	WA83-NF
			FILE NAME	wcsd-d-mit
			PLOTTED SCALE	

**SUBBASIN 46.3 WATERCOURSE
STABILIZATION PROJECT**

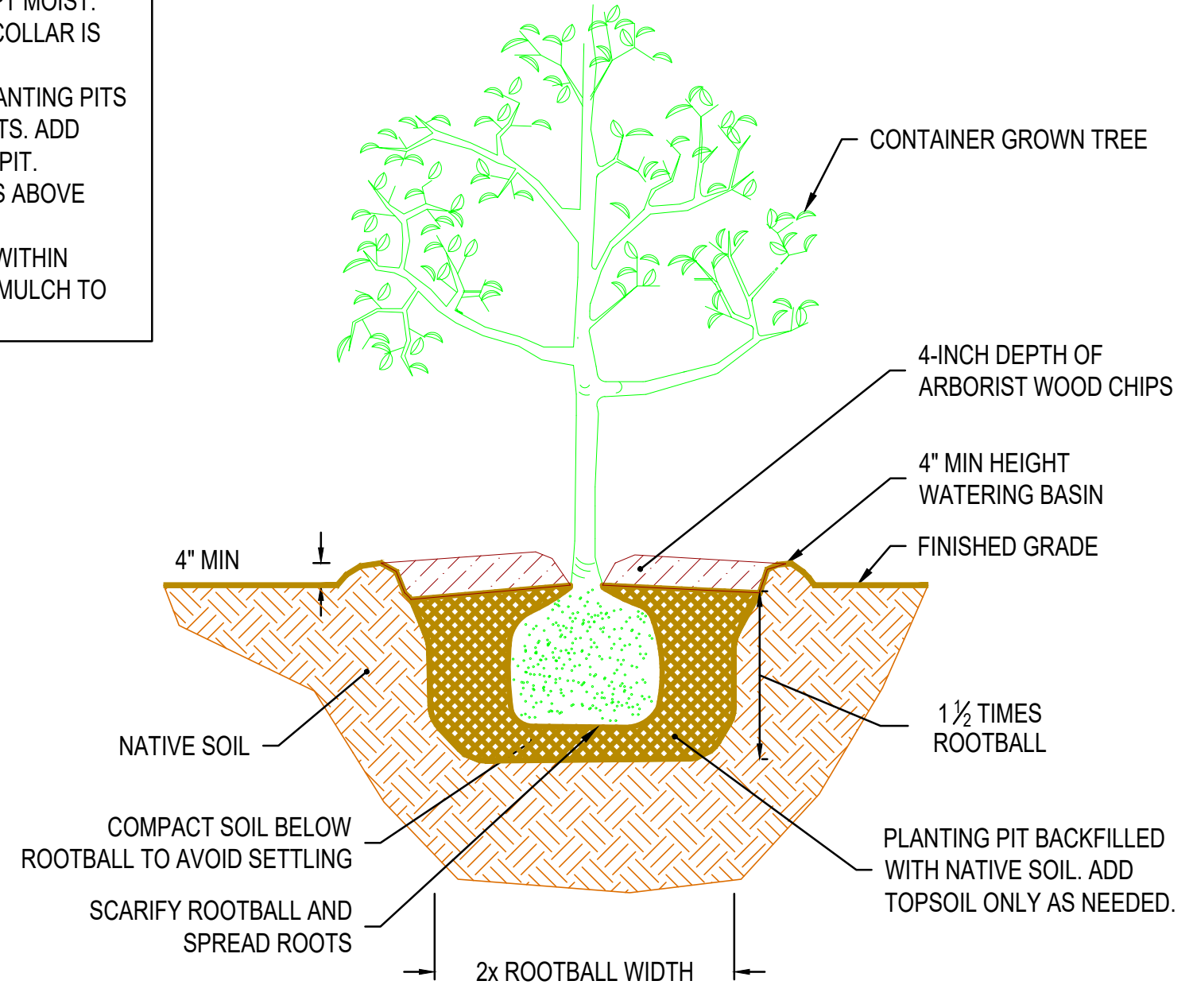
PLANTING SCHEDULE AND NOTES

JOB NUMBER
2008561
(RH2 JOB NO. 24-0025)
 SHEET NUMBER
L101
 SHEET 13 OF 14

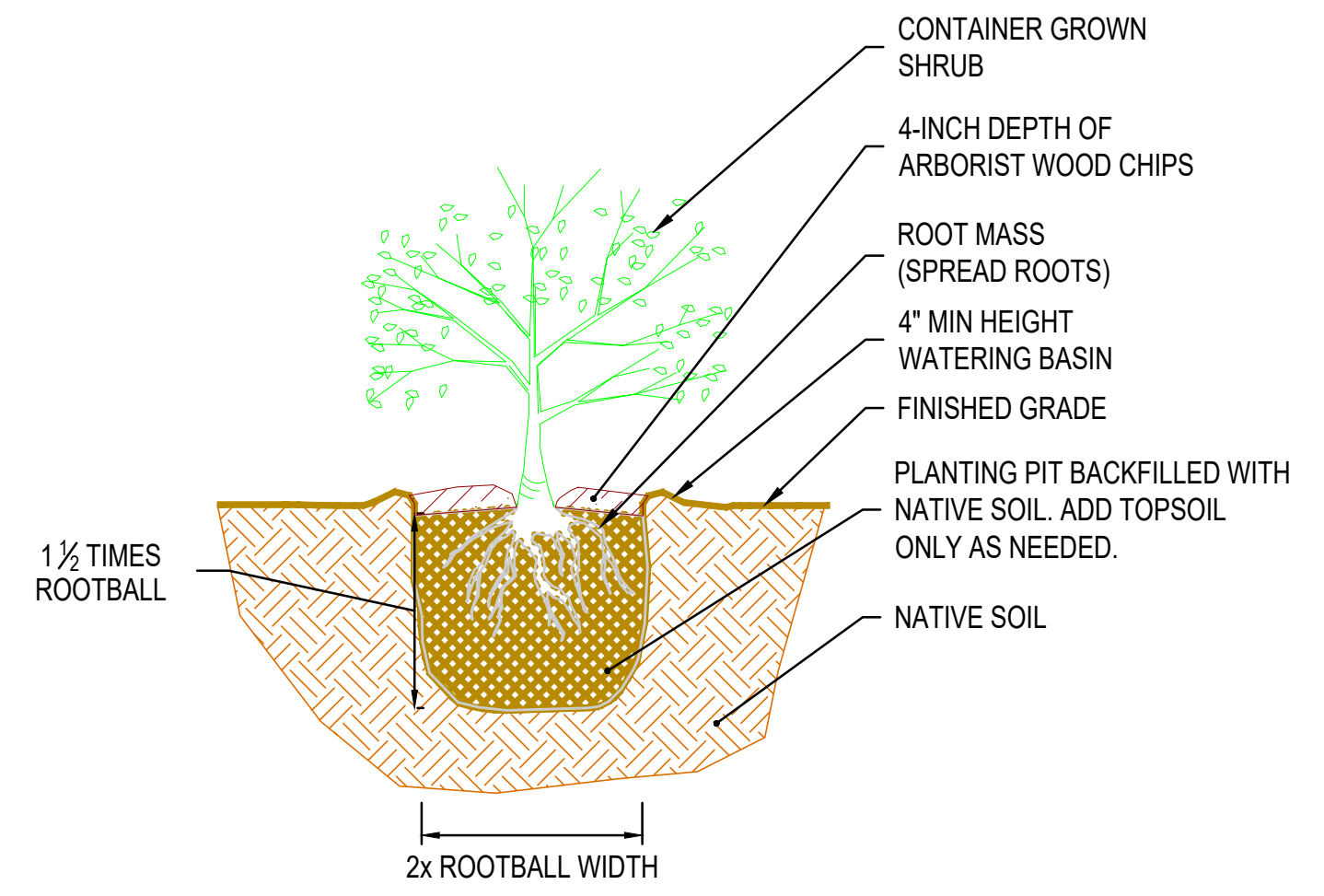


EVERGREEN TREE PLANTING DETAIL
NOT TO SCALE

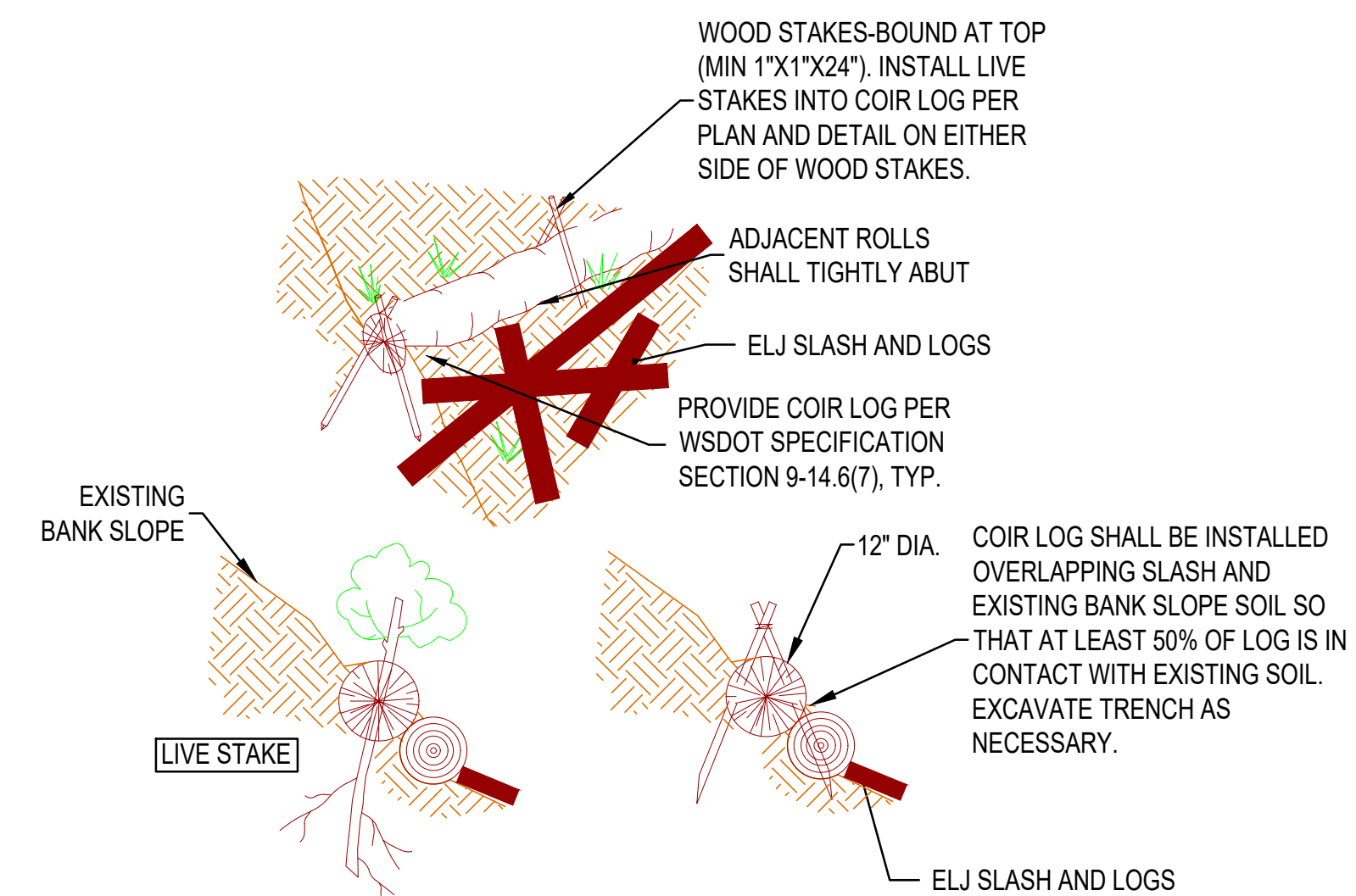
- NOTES:**
1. ALL PLANT MATERIAL MUST BE KEPT MOIST.
 2. PLACE ALL PLANTS SO THE ROOT COLLAR IS LEVEL WITH FINISHED GRADE.
 3. ENSURE NATIVE SOILS USED IN PLANTING PITS ARE FREE OF RHIZOMES AND ROOTS. ADD TOPSOIL AS NEEDED TO BACKFILL PIT.
 4. FORM A WATERING BASIN 4 INCHES ABOVE FINISHED GRADE.
 5. INSTALL 4-INCH DEPTH OF MULCH WITHIN WATERING BASIN. DO NOT ALLOW MULCH TO TOUCH TRUNK.



DECIDUOUS TREE AND SHRUB PLANTING DETAIL
NOT TO SCALE

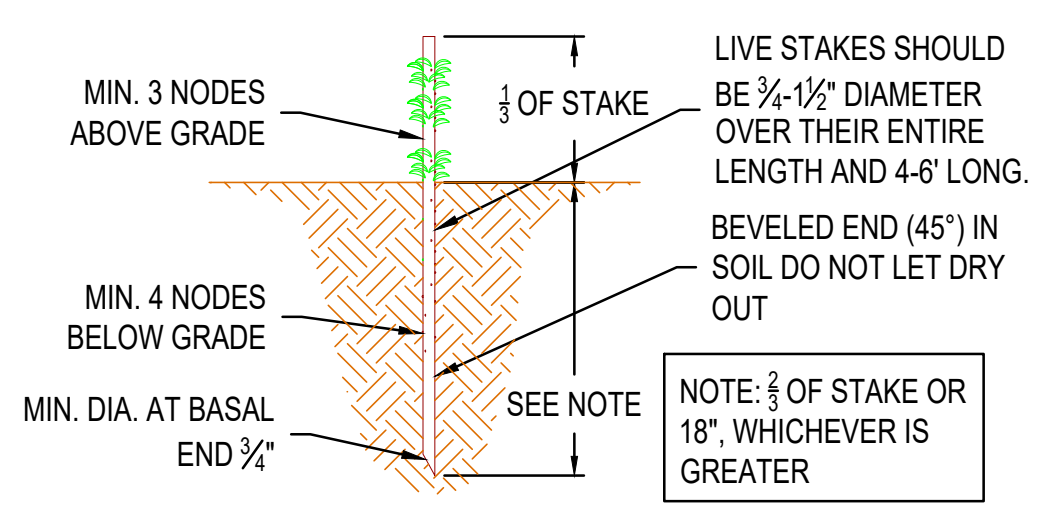


WILDLIFE PROTECTION DETAIL
NOT TO SCALE

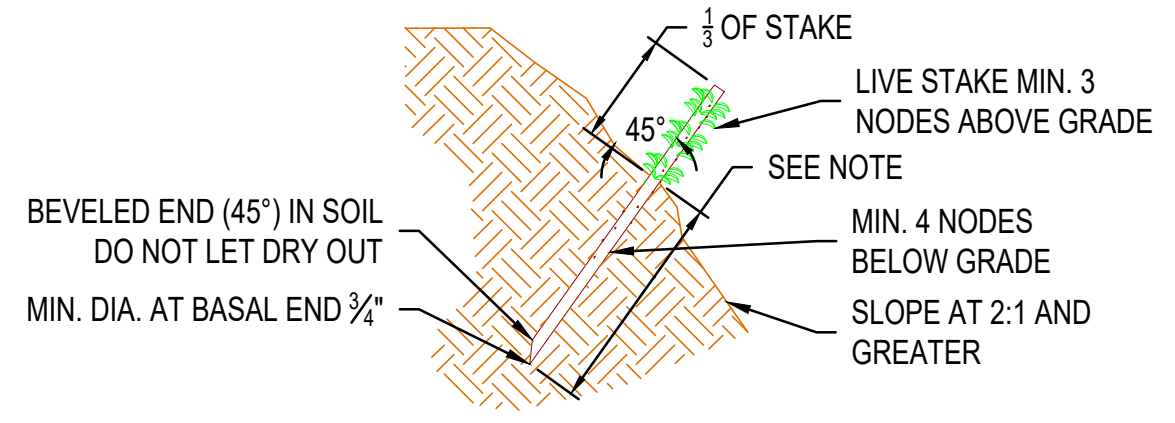


COIR LOG DETAIL
NOT TO SCALE

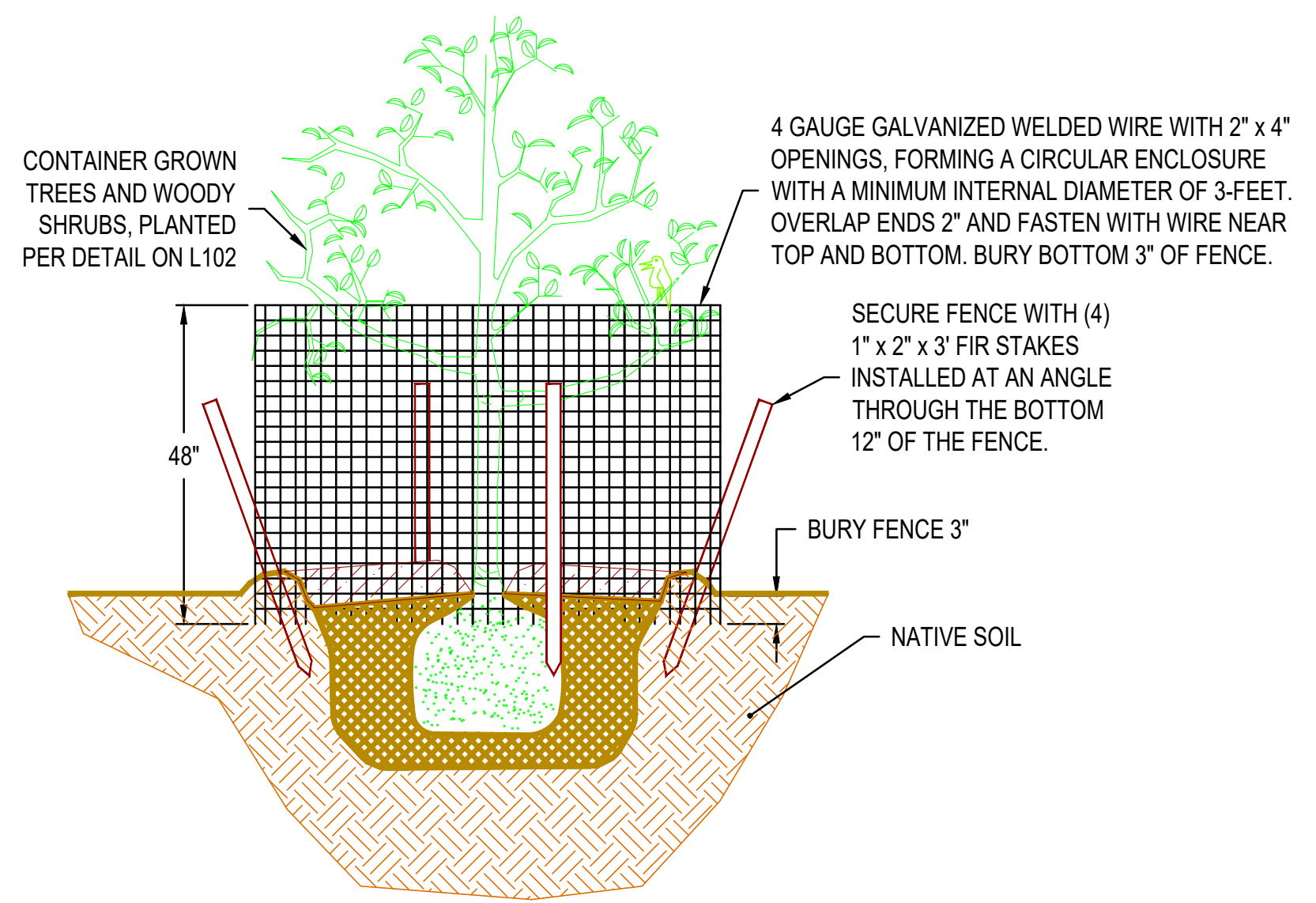
- LIVE STAKE NOTES:**
1. SOURCE LIVE STAKES FROM SITES NATIVE TO THE PACIFIC NORTHWEST.
 2. KEEP LIVE STAKES MOIST AT ALL TIMES. LIVE STAKES ARE HIGHLY PERISHABLE AND MUST BE STORED PROPERLY BEFORE PLANTING. SEE SPECIFICATIONS FOR ADDITIONAL INFORMATION.
 3. INSTALL LIVE STAKES IN GROWTH POSITION. IF BOTTOM END OF STAKE HAS DRIED OUT, CUT FRESH END PRIOR TO INSTALLING.
 4. INSTALL LIVE STAKES AT 2' O.C. SPACING OFFSET ALTERNATE ROWS AT 18" (SEE DETAIL). MIN. EMBEDMENT OF ALL STAKES IS 18".
 5. LIVE STAKES MAY BE POUNDED DIRECTLY INTO VERY SOFT SOIL. FOR COMPACT OR GRAVELLY SOILS, OR INSTALLATION THROUGH COIR LOGS, FORM HOLE IN SUBGRADE WITH REBAR OR STEEL BAR SIZED TO ACCOMMODATE THE DIAMETER OF THE LIVE STAKE. CAREFULLY PLANT STAKE IN HOLE. DO NOT BREAK LEAF NODES. INSTALL STAKES WITH A MINIMUM OF 4 NODES BELOW GRADE AND 3 NODES ABOVE GRADE. BACKFILL HOLE AND TAMP TO FILL VOID SPACES.



HORIZONTAL GRADIENT



SLOPE GRADIENT
LIVE STAKE PLANTING DETAIL
NOT TO SCALE



REVISIONS			DRAWING INFORMATION	
##	DATE	DESCRIPTION	DATE	
			11:50:12 20251030	
			STATUS	90% SUBMITTAL
			DESIGNER/DRAFTER	ALT
			CHECKED	ALP
			COORDINATE	WA83-NF
			FILE NAME	wcsd-d-mit
			PLOTTED SCALE	